



INSTRUCTION



● Thank you for purchasing mini 3 the meter (Room temperature+Time+Volt) , before operating the unit, please read the instruction thoroughly and retain it for the future reference.

Notice

1. The meter works for DC12V only!
2. For installation, please follow the steps described in manual. Any damage caused by wrong installation shall be imputed to the users.
3. Don't break or modify the wire terminal. To avoid the short circuit, please don't pull the wire when installing.
4. Do not disassemble or change any parts excluding the manual description.
5. The interior examination or maintenance should be executed by our professionals.

MARK MEANING:

NOTE You could get the installation details from the information behind the mark.

▲ Some processes must be followed to avoid the affection caused by wrong installation.

▲ **WARNING!** Some processes must be followed to avoid damages to yourself or the public.

▲ **CAUTION!** Some processes must be followed to avoid the damage to the vehicle.

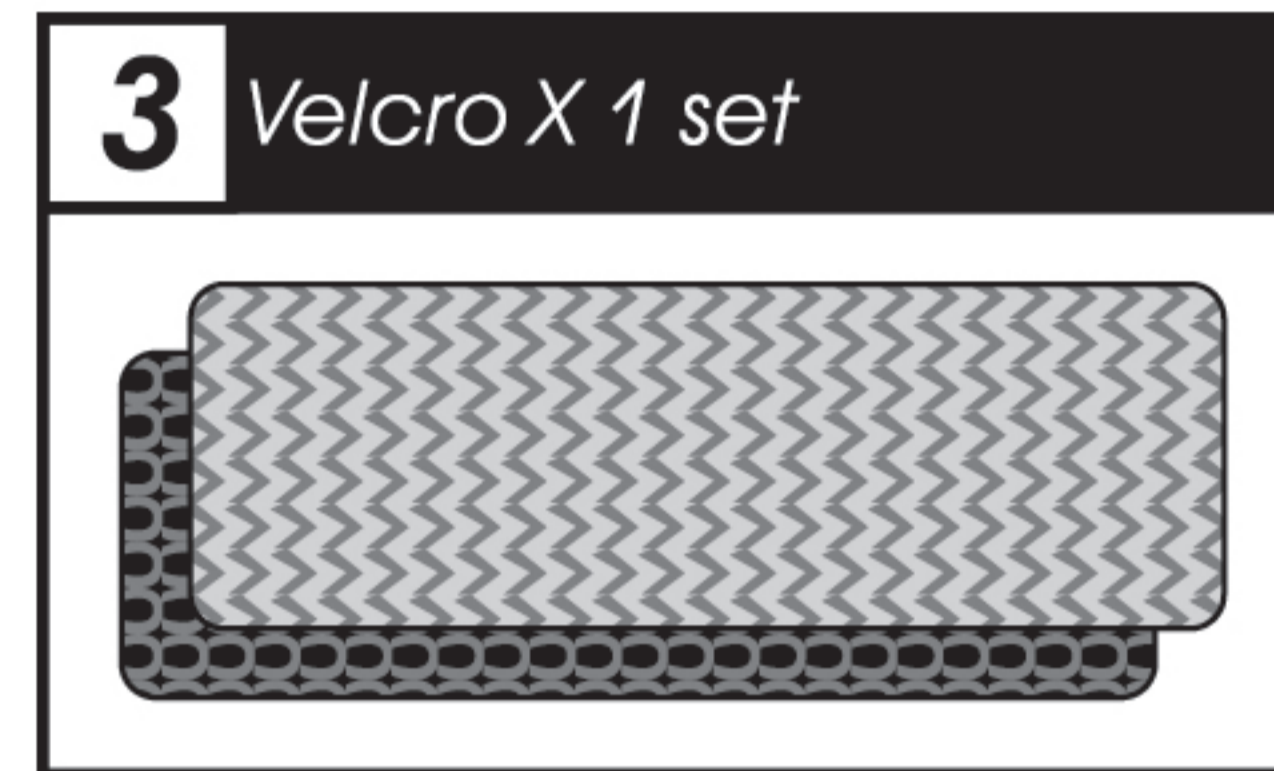
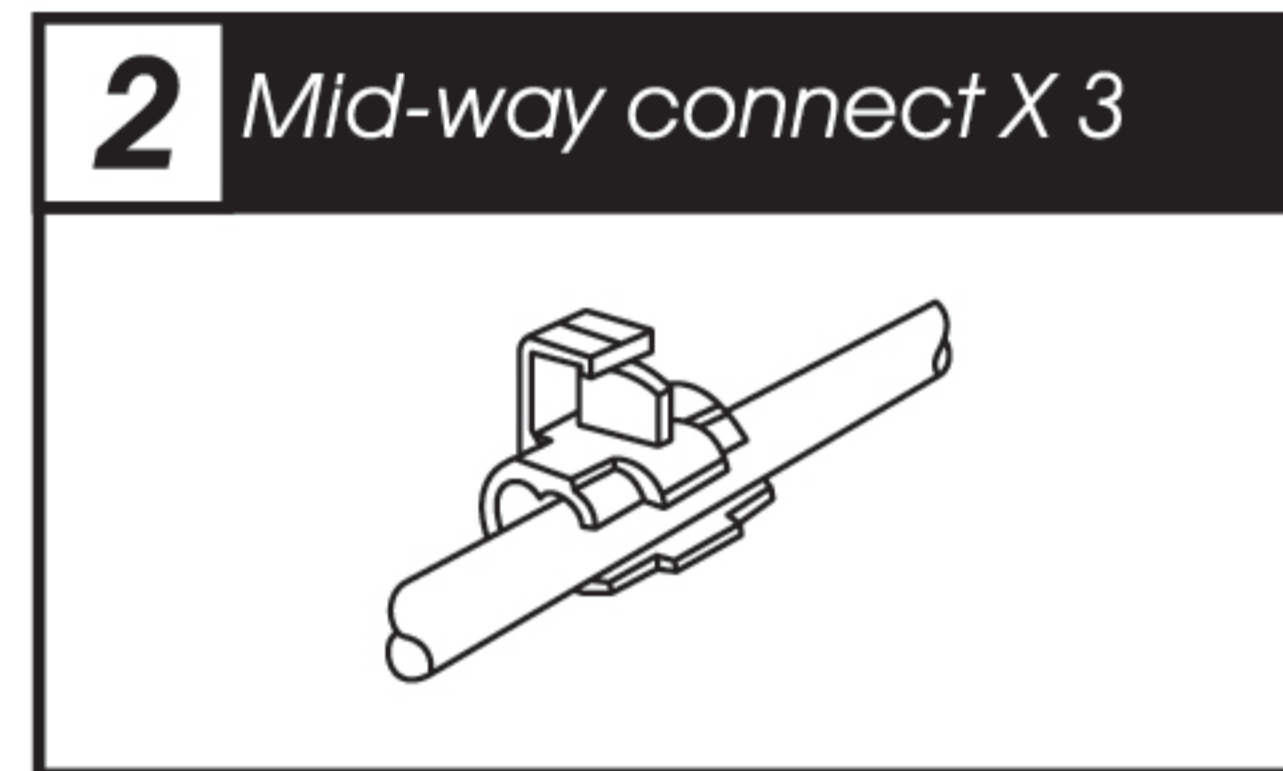
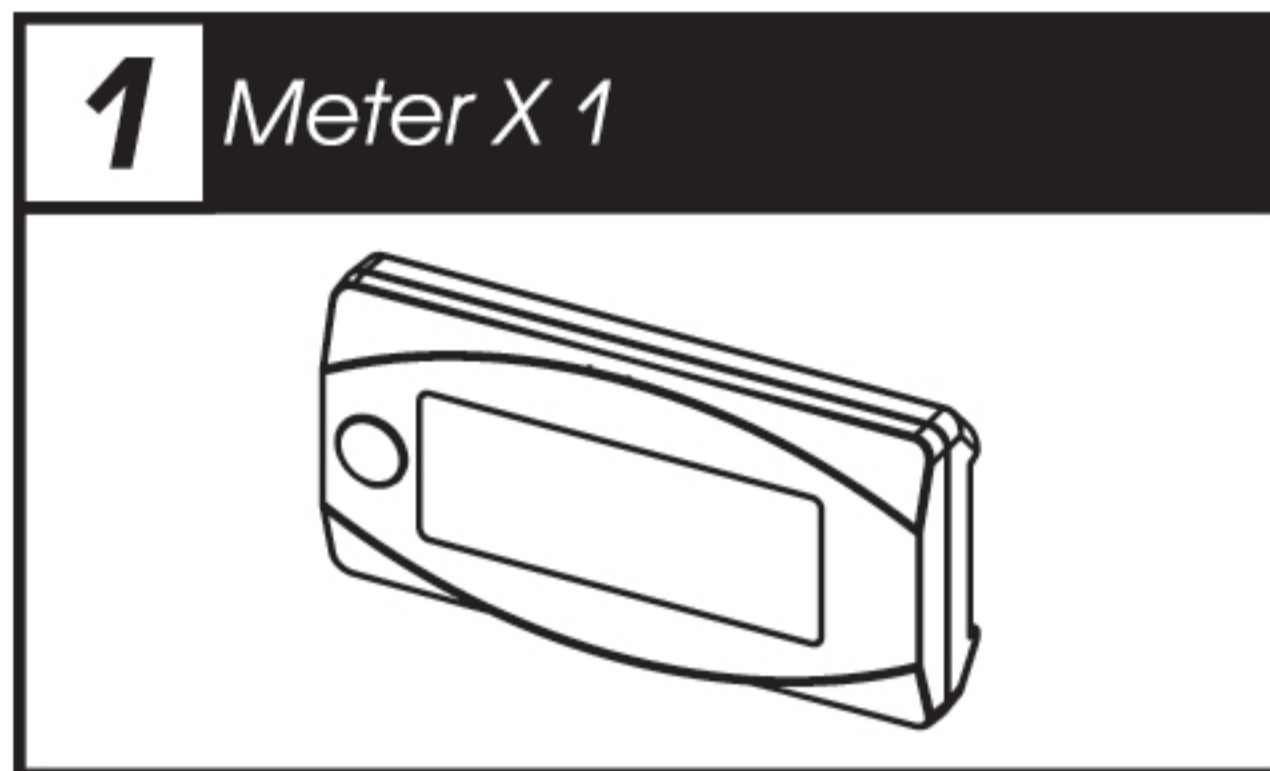


PRESS THE BUTTON ONE TIME



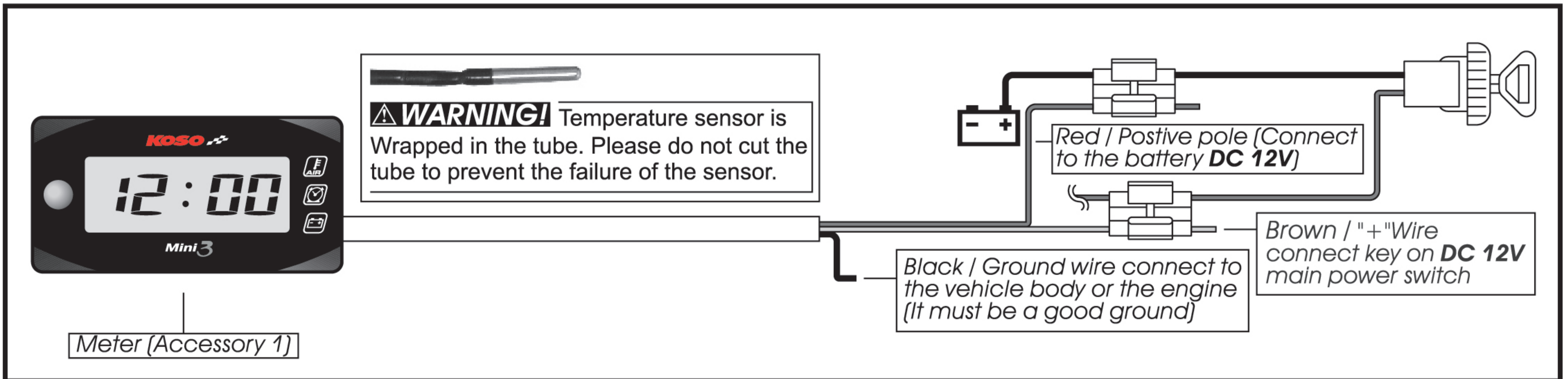
PRESS THE BUTTON 3 SECONDS

1 Accessory

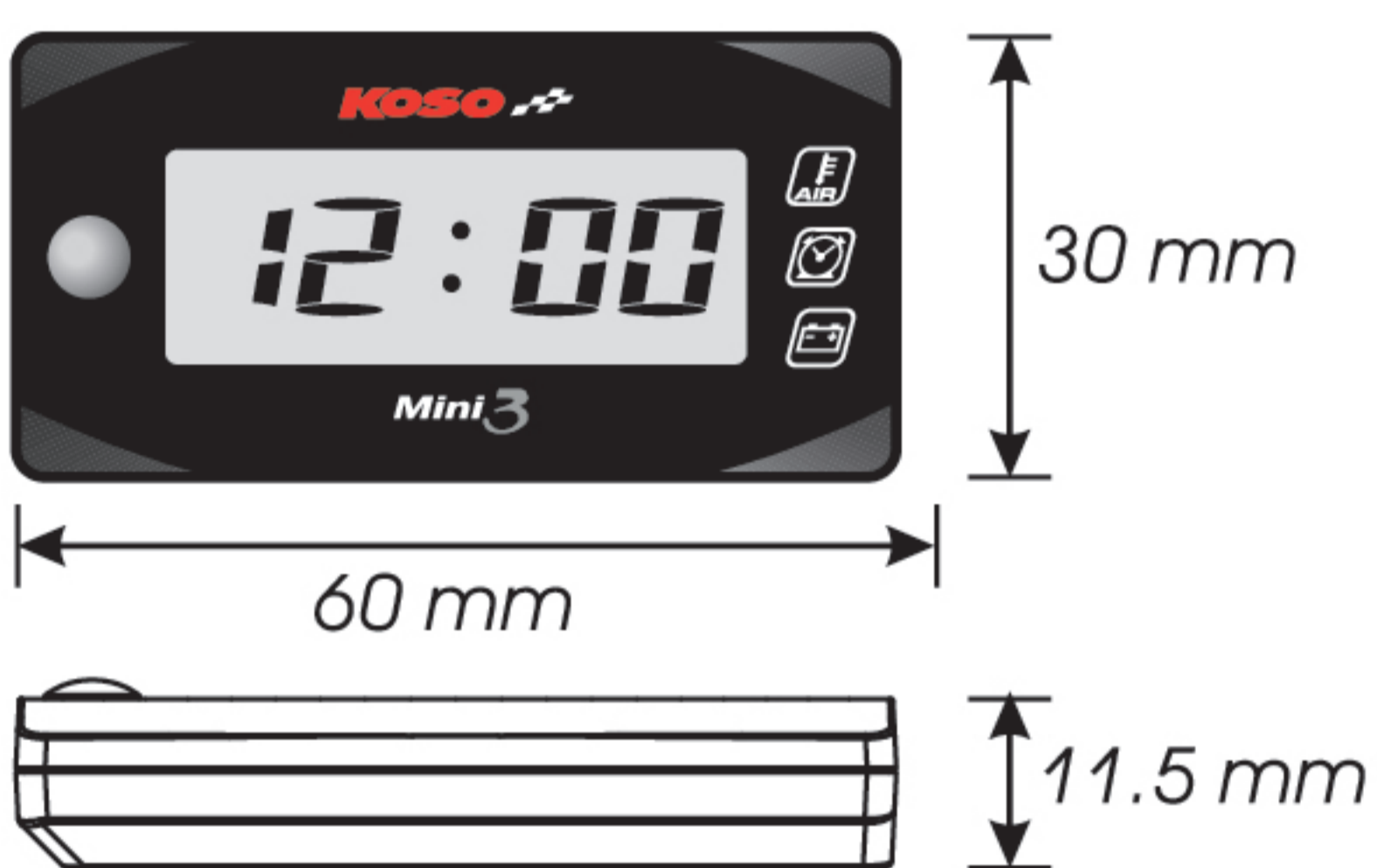


NOTE Please contact the local distributor if the items you open are not the same, with the above-listed one.

2 Wiring installation instructions



3 Function instruction



| | |
|-------------------------------|--|
| ● Temperature | Display unit : °C & °F for alternative |
| ● Clock | 24H |
| ● Volt meter | Display range : DC 6.0~19.9 V Display unit : 0.1 V |
| ○ Low Voltage warning | Setting range : DC 8.0~13.0 V Setting unit : 0.1 V |
| ○ Voltage warning | When the volt is below DC 11.5V or over 15.5V, the LCD display will flash to warn. |
| ● Effective voltage | DC12V |
| ● Effective temperature range | -10~+60°C |
| ● Meter standard | JIS D 0203 S2 |
| ● Meter size | 60 X 30 X 11.5 mm |
| ● Meter weight | Around 22g |

NOTE Design and specifications are subject to change without notice!

4-1 The setting screen instruction



- The default temperature unit setting is Centigrade. Please hold pressing the button for 3 seconds to switch the air temperature unit to fahrenheit.

NOTE Temperature display unit can be set on °C or °F

WARNING! Please don't check the record during riding to avoid the accident.



- In clock screen, press the button once to switch from air temperature to the volt screen.
- Press down the button for 3 seconds to enter the clock setting screen. (Check section 4-2 for detail)



- In volt screen, press the button once to switch from volt to back the air temperature screen.
- Press down the button for 3 seconds to enter the low voltage warning setting screen. (Check section 4-3 for detail)

4-2 The clock setting



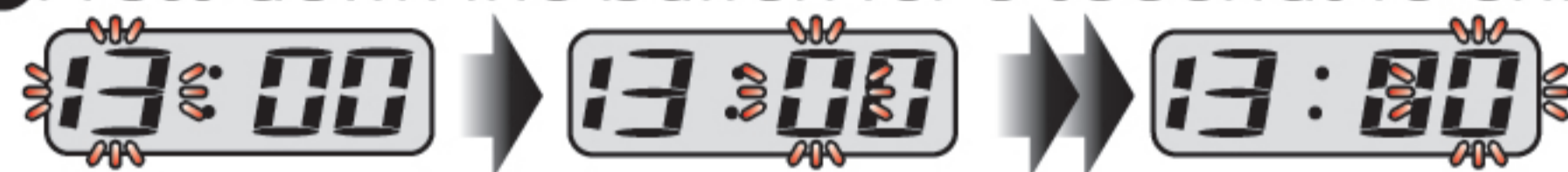
- EX: You want to set the hour at 13.
- Press the button once to choose the setting number.



NOTE Setting range: 0~23 H.



- EX. Now the setting is changed from 0:00 to 13:00.
- Press down the button for 3 seconds to enter the minute setting.



⚠ Press down the button for 3 seconds to move to the digital you want to set.



- EX. To change the setting to 13:06.
- Press the button one time to choose the setting number.



- EX. Now the minute is changed from 13:00 to 13:06.
- Press down the button for 3 seconds to back the clock screen.



- The clock screen.

4-3 Low voltage warning setting



- EX: Low voltage warning set DC12
- Press the button one time to choose the setting number.



NOTE Low voltage warning setting range: 8.0~13.0 V



- EX: Low Voltage warning setting change from DC12.5V to DC12V
- Press down the button for 3 seconds to back the voltage screen.



- The voltage screen.

5 Trouble shooting

The following situation do not indicate malfunction of the meter. Please check the following before taking it in for repair.

| Trouble | Check item |
|---|--|
| The meter doesn't work when the power is on. The clock is incorrect. | <ul style="list-style-type: none"> ● The power doesn't supply to the meter. → Please make sure the wiring is connected. The wiring and fuse are not broken. ● It is possible that the positive wire is connected wrongly. → Please check is the red positive wire connect to the permanent power or battery and the brown positive wire is connected to the key on switch positive pole. |