



● Thank you for purchasing Mini 3 meter (Clock / Volt) , before operating the unit, please read the instruction thoroughly and retain it for the future reference.

⚠ Notice

1. The lcd meter is apply for DC 12V.
2. For installation, please follow the steps described in manual. Any damage caused by wrong installation shall be imputed to the users.
3. Don't break or modify the wire terminal. To avoid the short circuit, please don't pull the wire when installing.
4. Do not disassemble or change any parts excluding the manual description.
5. The interior examination or maintenance should be executed by our professionals.

MARK MEANING:

NOTE You could get the installation details from the information behind the mark.

⚠ Some processes must be followed to avoid the affection acused by wrong installation.

WARNING! Some processes must be followed to avoid damages to yourself or the public.

CAUTION! Some processes must be followed to avoid the damage to the vehicle.

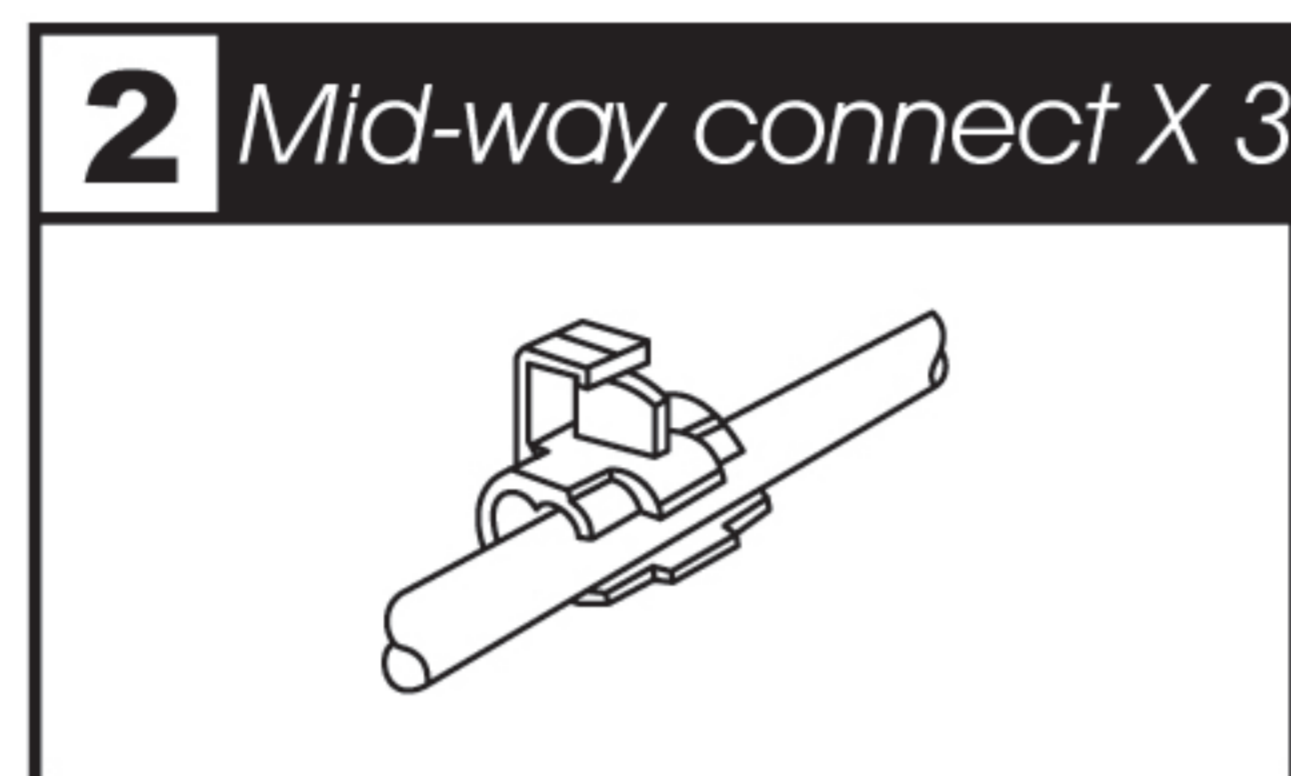
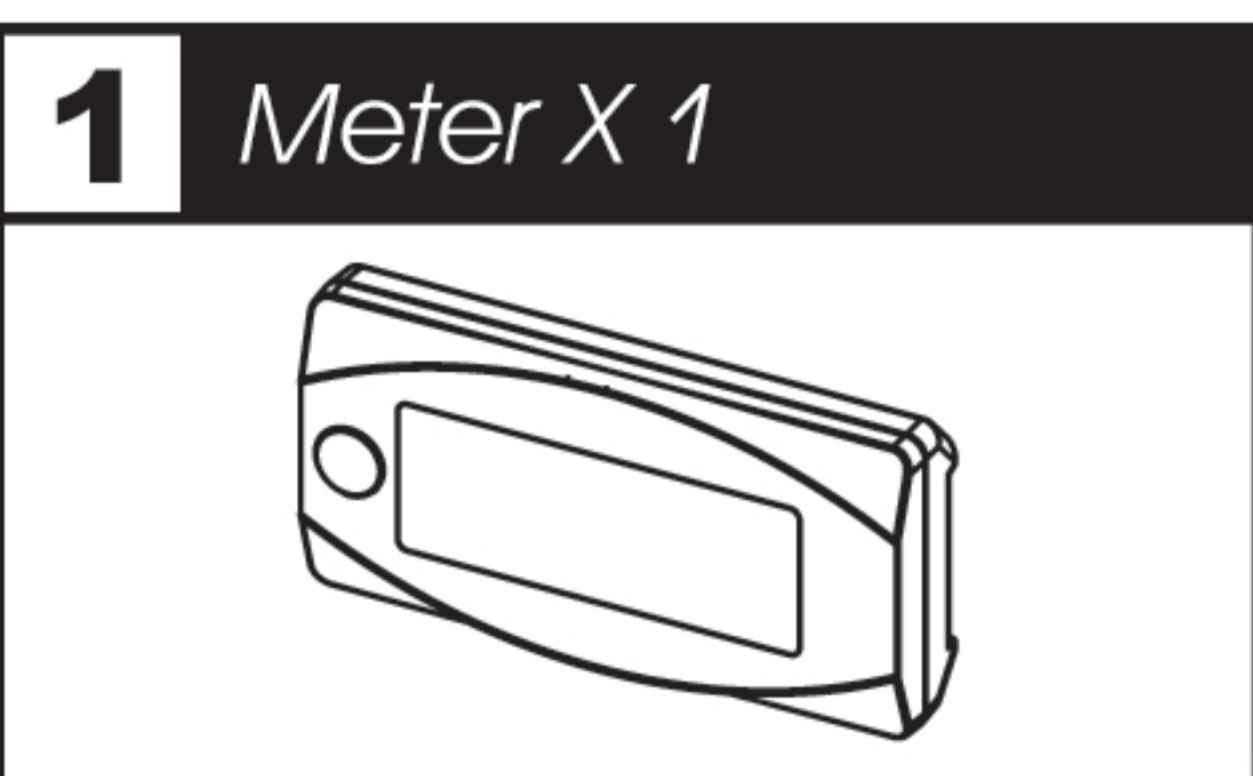


PRESS THE
BUTTON ONE TIME



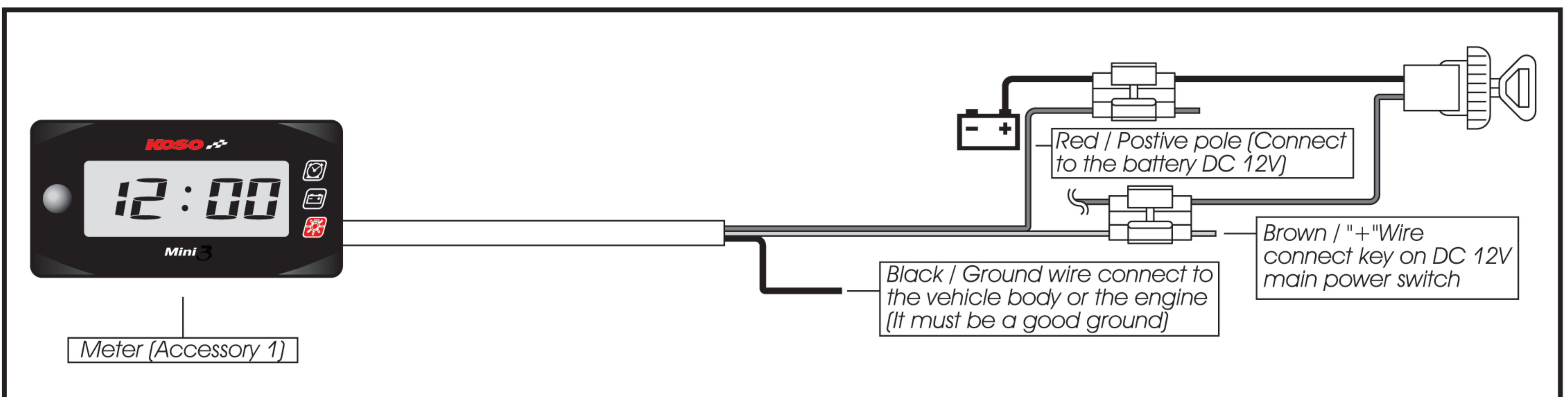
PRESS THE
BUTTON 3 SECONDS

1 Accessory

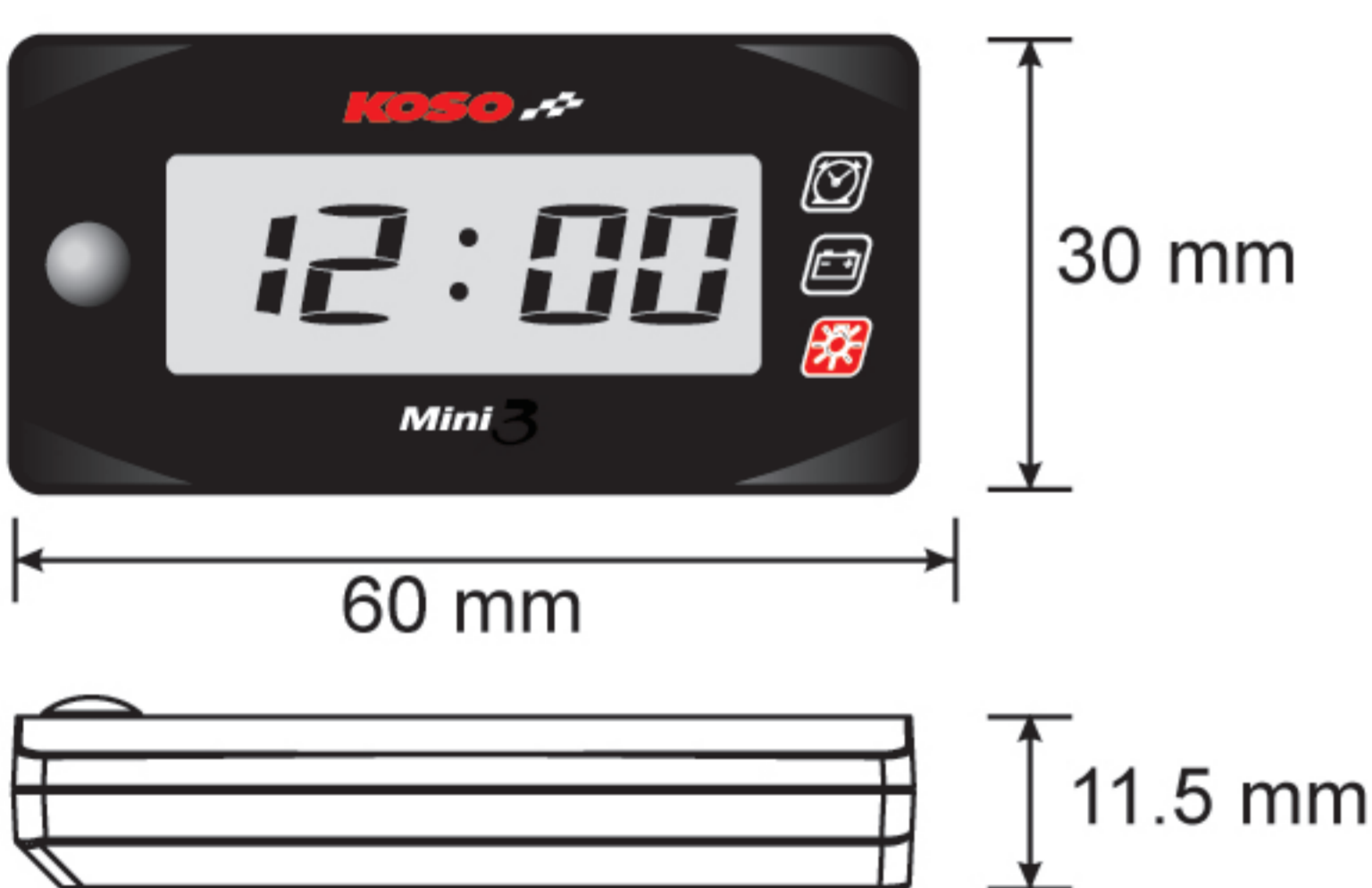


NOTE Please contact the local distributor if the items you open are not the same, with the above-listed one.

2 Wiring installation instructions



3 Function instruction



● Clock	24H
● Volt meter	Display range : DC 6.0~19.9 V Display unit : 0.1 V
○ Low Voltage warning	Setting range : DC 8.0~13.0 V Setting unit : 0.1 V
○ Voltage warning	Warning Range: Below DC11.5v or over 15.5v. Screen will flash to warning.
● Effective voltage	DC12V
● Effective temperature range	-10~+60°C
● Meter standard	JIS D 0203 S2
● Meter size	60 X 30 X 11.5 mm
● Meter weight	Around 22g

NOTE Design and specification are subject to change without notice!

4-1 The setting screen instruction



- In clock screen, press the button once to switch from clock to the volt screen.
- Press down the button for 3 seconds to enter the clock setting screen. (Check section 4-1 for detail)

⚠ WARNING! Please don't check the record during riding to avoid the accident.



- In volt screen, press the button once to switch from volt to back the clock screen.
- Press down the button for 3 seconds to enter the low voltage warning setting screen. (Check section 4-2 for detail)



- The clock screen.

4-1 The clock setting



- EX: You want to set the hour at 13.
- Press the button once to choose the setting number.



NOTE Setting range: 0~23 H.



- EX: Now the setting is changed from 0:00 to 13:00.
- Press down the button for 3 seconds to enter the minute setting.



⚠ Press down the button for 3 seconds to move to the digital you want to set.



- EX: To change the setting to 13:06.
- Press the button one time to choose the setting number.



- EX: Now the minute is changed from 13:00 to 13:06.
- Press down the button for 3 seconds to back the clock screen.



- The clock screen.

4-2 Low voltage warning setting



- EX: Low voltage warning set Dc12
- Press the button one time to choose the setting number.



NOTE Low voltage warning setting range: 8.0~13.0 V



- EX: Low Voltage warning setting change from DV12.5V to DC12V
- Press down the button for 3 seconds to back the voltage screen.



- The voltage screen.

5 Trouble shooting

The following situation do not indicate malfunction of the meter. Please check the following before taking it in for repair.

Trouble	Check item
The meter doesn't work when the power is on.	• The power doesn't supply to the meter. → Please make sure the wiring is connected. The wiring and fuse are not broken.

If still can't solve the problems according to the steps above, please contact with distributors or us.