



# INSTRUCTION



● Thank you for purchasing mini 3 the Time meter , before operating the unit, please read the instruction thoroughly and retain it for the future reference.

## ⚠ Notice

1. The meter works for DC12V only!
2. For installation, please follow the steps described in manual. Any damage caused by wrong installation shall be imputed to the users.
3. Don't break or modify the wire terminal. To avoid the short circuit, please don't pull the wire when installing.
4. Do not disassemble or change any parts excluding the manual description.
5. The interior examination or maintenance should be executed by our professionals.

### MARK MEANING:

**NOTE** You could get the installation details from the information behind the mark.

⚠ Some processes must be followed to avoid the affection caused by wrong installation.

**⚠ WARNING!** Some processes must be followed to avoid damages to yourself or the public.

**⚠ CAUTION!** Some processes must be followed to avoid the damage to the vehicle.

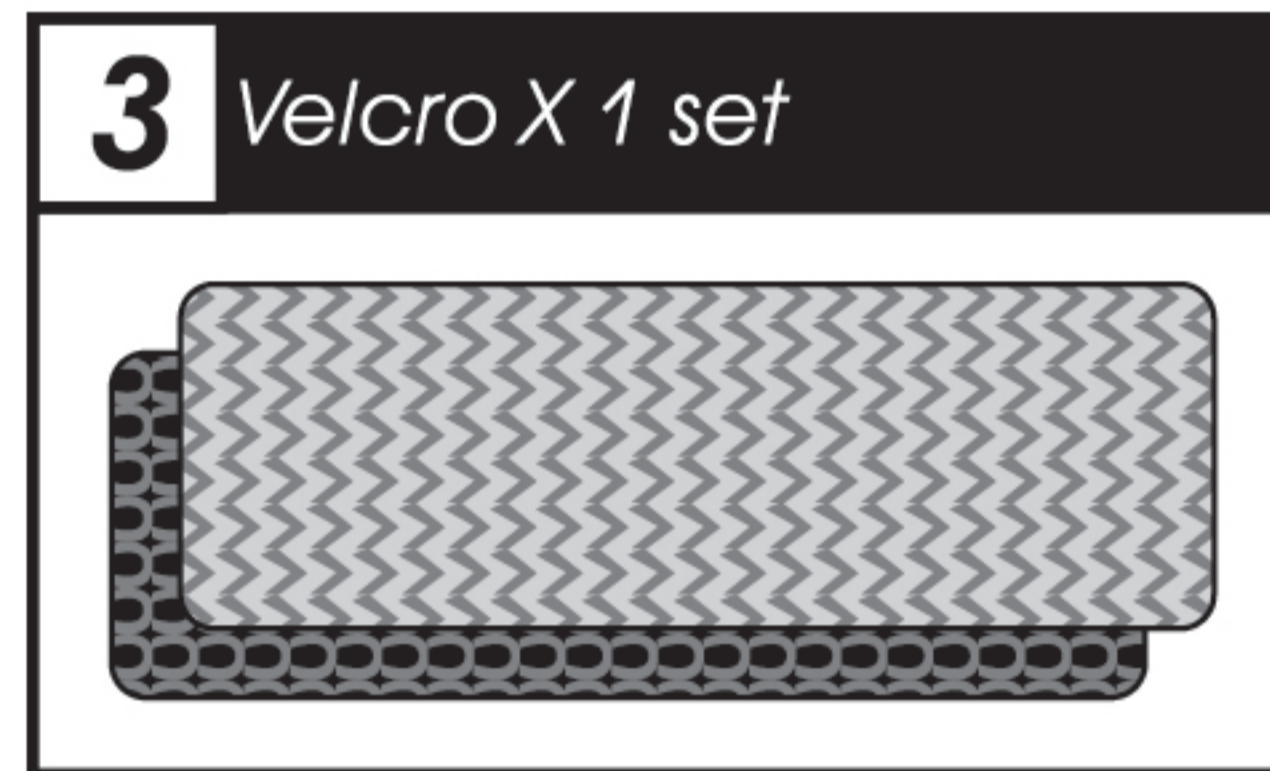
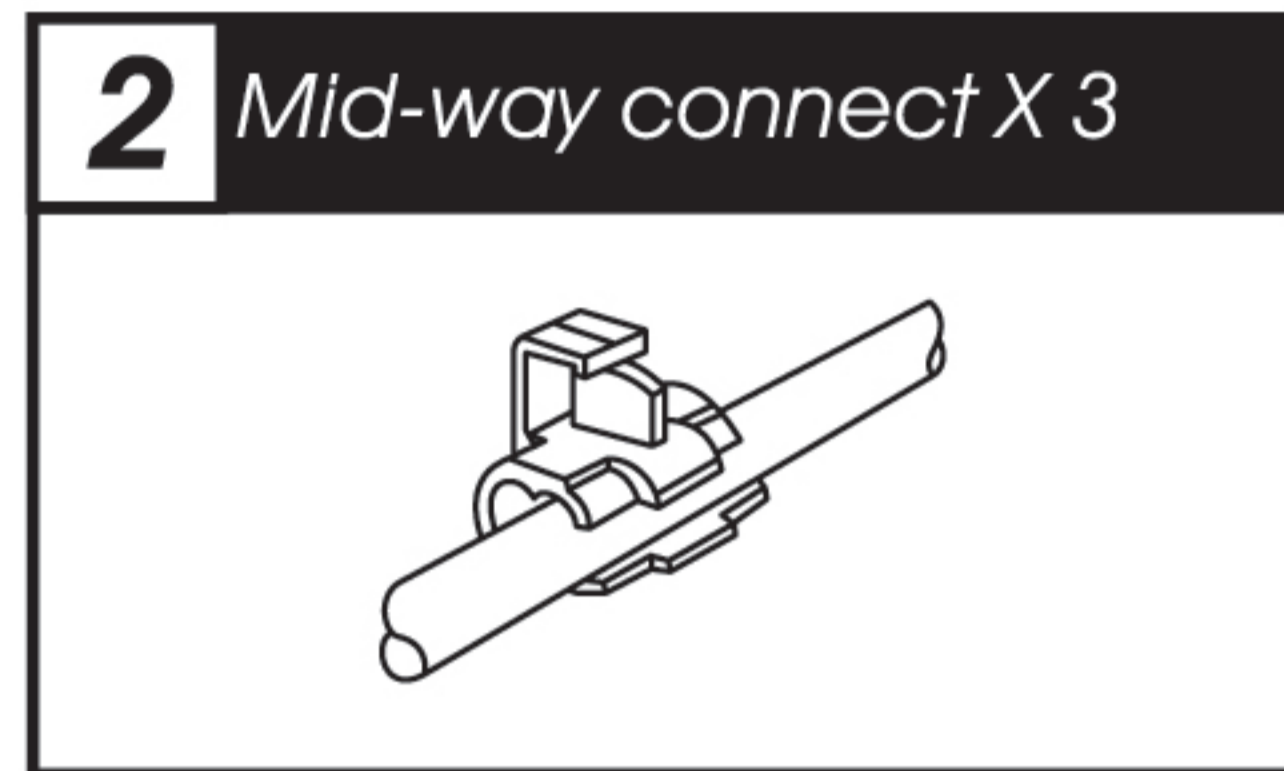
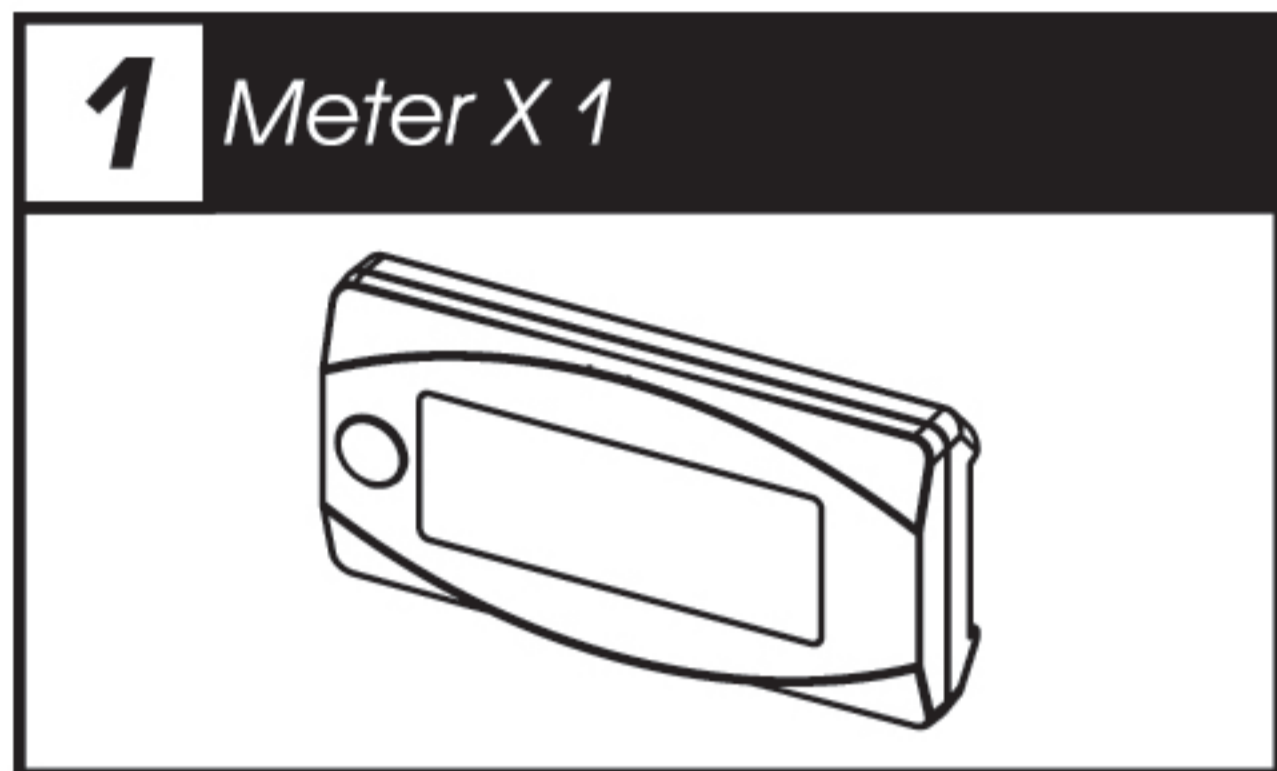


PRESS THE BUTTON ONE TIME



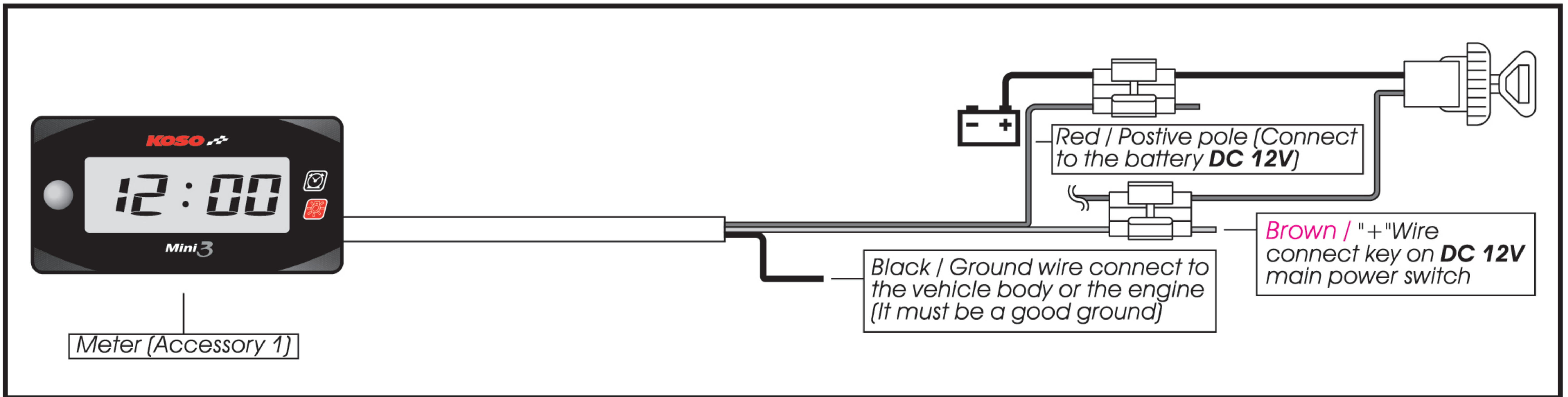
PRESS THE BUTTON 3 SECONDS

## 1 Accessory

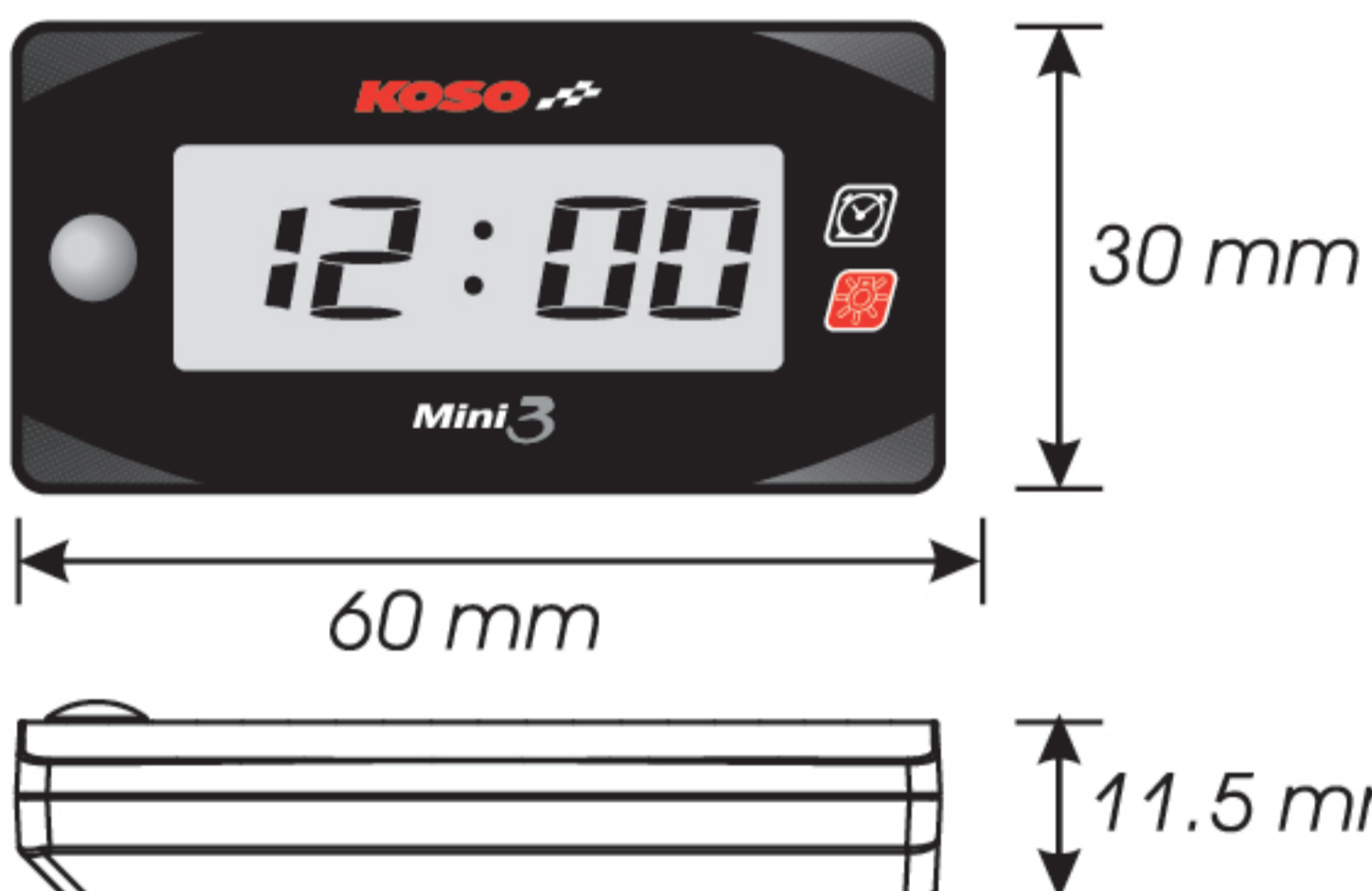


**NOTE** Please contact the local distributor if the items you open are not the same, with the above-listed one.

## 2 Wiring installation instructions



## 3 Function instruction



- Clock 24H
- Effective voltage DC12V
- Effective temperature range -10~+60°C
- Meter standard JIS D 0203 S2
- Meter size 60 X 30 X 11.5 mm
- Meter weight Around 22g

**NOTE** Design and specifications are subject to change without notice!

## 4 The clock setting



- EX: You want to set the hour at 13.
- Press the button once to choose the setting number.



**NOTE** Setting range: 0~12 H.



- EX. Now the setting is changed from 0:00 to 13:00.
- Press down the button for 3 seconds to enter the minute setting.



⚠ Press down the button for 3 seconds to move to the digital you want to set.



- EX. To change the setting to 13:06.
- Press the button one time to choose the setting number.



- EX. Now the minute is changed from 13:00 to 13:06.
- Press down the button for 3 seconds to back the clock screen.



- The clock screen.

## 5 Trouble shooting

The following situation do not indicate malfunction of the meter. Please check the following before taking it in for repair.

Trouble	Check item
The meter doesn't work when the power is on. The clock is incorrect.	<ul style="list-style-type: none"> <li>● The power doesn't supply to the meter. → Please make sure the wiring is connected. The wiring and fuse are not broken.</li> <li>● It is possible that the positive wire is connected wrongly. → Please check is the red positive wire connect to the permanent power or battery and the brown positive wire is connected to the key on switch positive pole.</li> </ul>

※If still can't solve the problems according to the steps above, please contact with distributors or us.