



THANK YOU FOR PURCHASING "KOSO EGT METER",LED NIGHT-BACK-LIGHTED,MULTI-FUNCTION IN ONE, EASY-WIRING, CLEAR-CONT-ROLLING AND EASY-USING.

⚠ ATTENTION

- 1.THE LCD METER IS APPLY FOR DC12V ONLY.
- 2.EFFECTIVE RANGE : 100°C~1200°C (250°F~2100°F) ◦
- 3.FOR INSTALLATION, PLEASE FOLLOW THE STEPS DESCRIBED IN MANUAL. ANY DAMAGE CAUSED BY WRONG INSTALLATION SHALL BE IMPUTED TO THE USERS.
- 4.DO NOT DISASSEMBLE OR CHANGE ANY PARTS EXCLUDING THE MANUAL DESCRIPTION.
- 5.THE INTERIOR EXAMINATION OR MAINTENANCE SHOULD BE EXECUTED BY OUR PROFESSIONALS.

MARK MEANING

NOTE YOU COULD GET THE INSTALLATION DETAILS FROM THE INFORMATION BEHIND THE MARK.

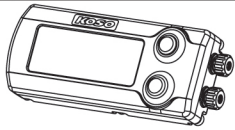

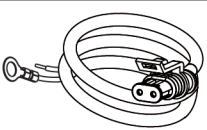
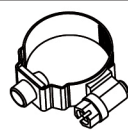
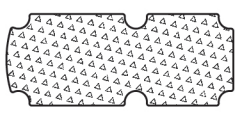
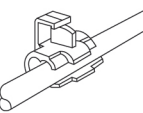


⚠ SOME PROCESSES MUST BE FOLLOWED TO AVOID THE AFFECTION CAUSED BY WRONG INSTALLATION.

⚠WARNING! SOME PROCESSES MUST BE FOLLOWED TO AVOID DAMAGES TO YOURSELF OR THE PUBLIC.

⚠CAUTION! SOME PROCESSES MUST BE FOLLOWED TO AVOID THE DAMAGE TO THE VEHICLE.

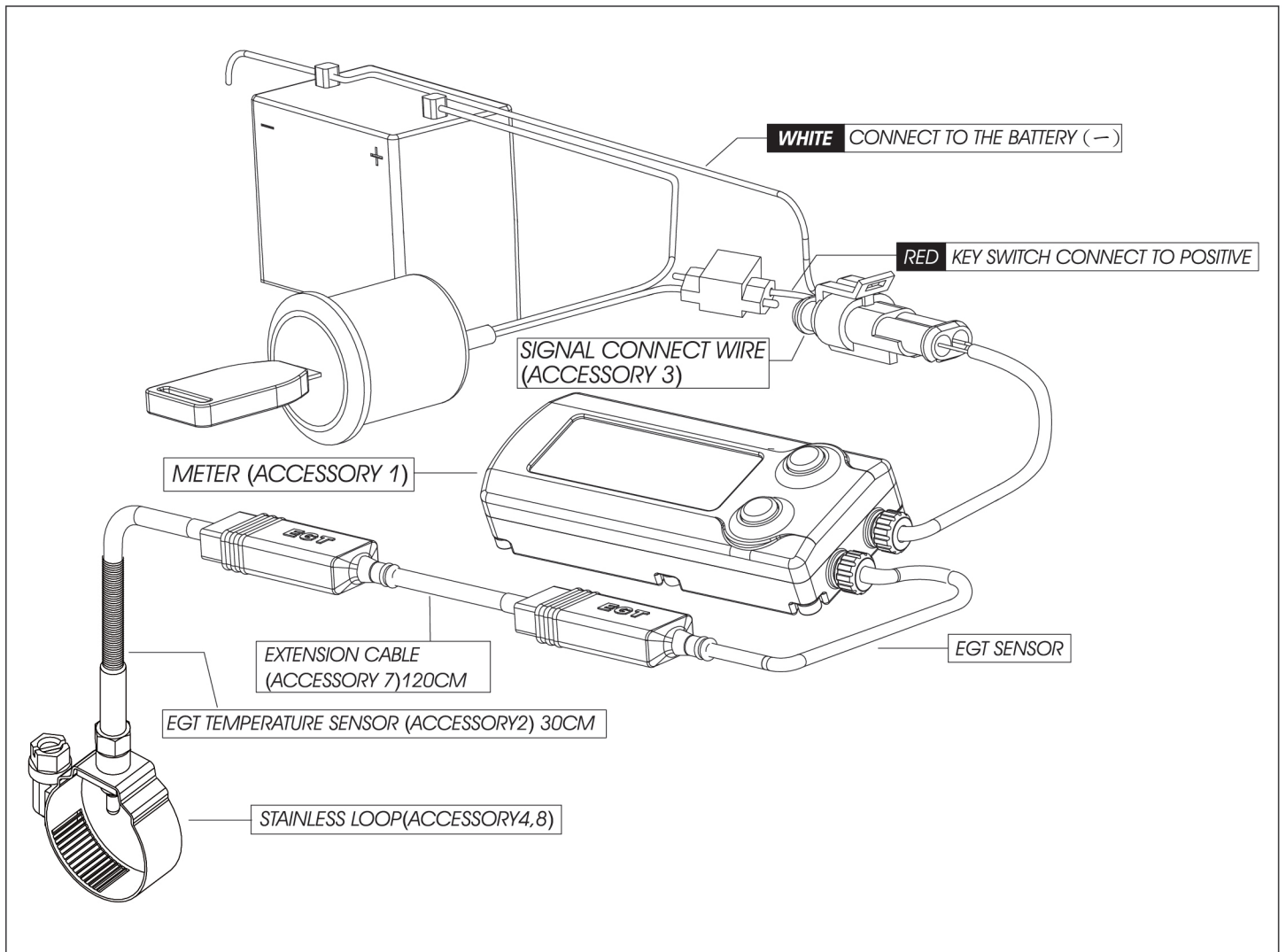


1 ACCESSORY

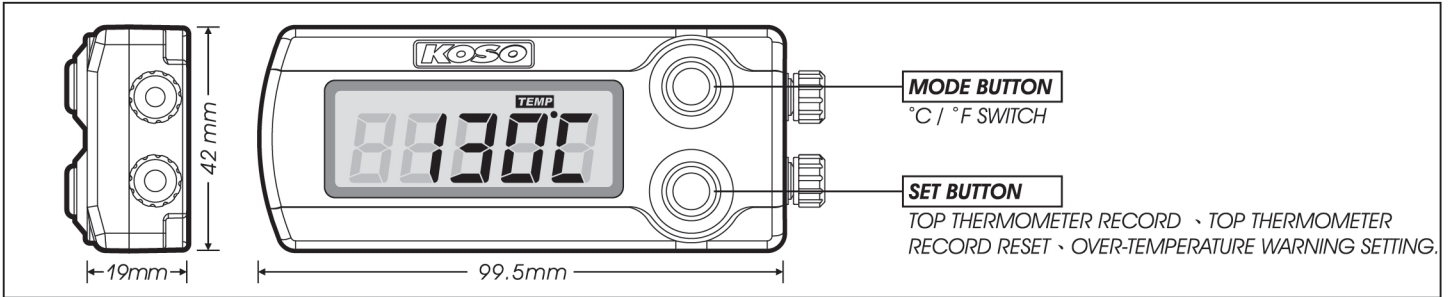
<p>1 METER X1</p> 	<p>2 EGT TEMPERATURE SENSOR X1</p> 	<p>3 SIGNAL CONNECT WIRE X1</p> 	<p>4 STAINLESS LOOP 21 X 38MM</p> 
<p>5 VELCRO X1</p> 	<p>6 CONNECT TERMINAL X1</p> 	<p>7 EXTENSION CABLE 120CM</p> 	<p>8 STAINLESS LOOP 40 X 64MM</p> 

PS: PLEASE CONTACT US IF THE ITEMS YOU OPEN ARE NOT THE SAME, WITH THE ABOVE-LISTED ONES.

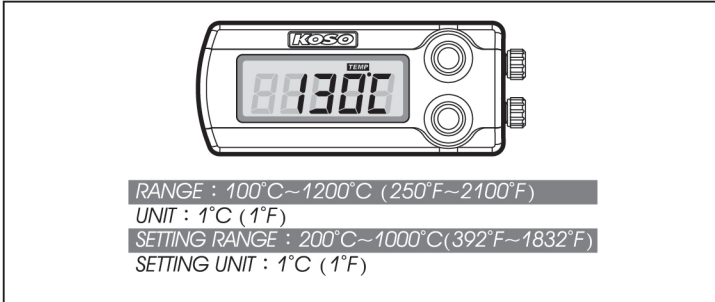
2 INSTRUCTION OF WIRING-INSTALLATION



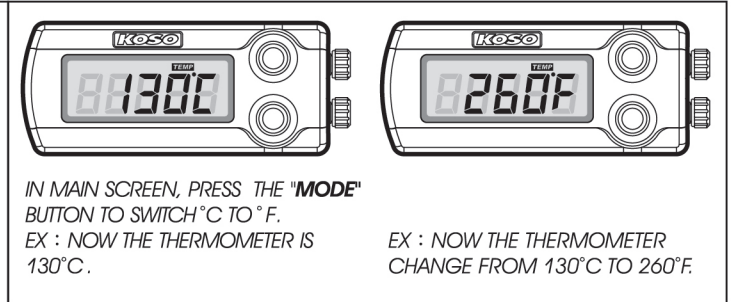
3 THE METER SIZE INSTRUCTION.



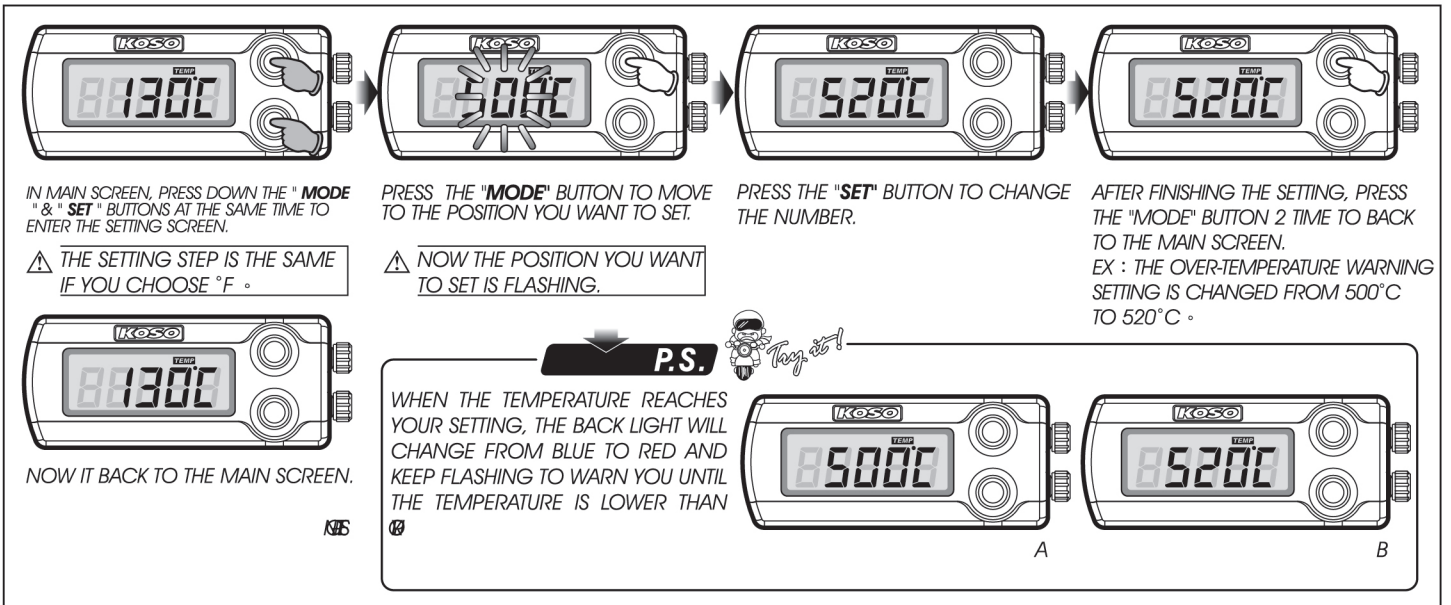
4 BASIC FUNCTION.



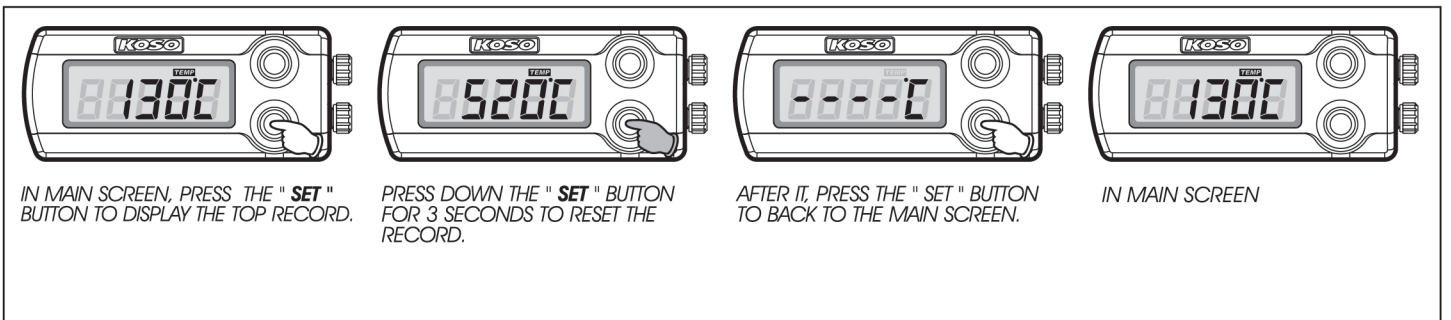
5 SCREEN SWITCH FUNCTION



6 OVER-TEMPERATURE WARNING SETTING INSTRUCTION.



7 THE TOP RECORD DISPLAY AND RESET.



8 TROUBLE SHOOTING.

