

● Thank you for purchasing our **Gear Indicator**, before operating the unit, please read the instruction sheets and retain them for the future reference.

## ⚠ Notice

1. The meter works for **DC 12V** power.
  2. For installation, please follow the steps described in manual. Any damage caused by wrong installation shall be imputed to the users.
  3. Don't break or modify the wire terminal. To avoid a short circuit, do not pull the wires when installing.
  4. Do not disassemble or change any parts.
  5. The interior examination or maintenance of the instrument should be executed by our professionals only. Opening the instrument will void the warranty.
  6. While riding the vehicle, do not attend to change the setting of the instrument to avoid injuries to yourself or others.
- ※ **The meter only work on motorcycles with digital speed / RPM signal (TTL SIGNAL 0-5V)!**

### MARK MEANING:

**NOTE** Some procedures must be followed to avoid damage to the instrument.

**⚠ WARNING!** Some processes must be followed to avoid injuries to yourself or others.

**⚠ CAUTION!** Some procedures must be followed to avoid damages to the vehicle.



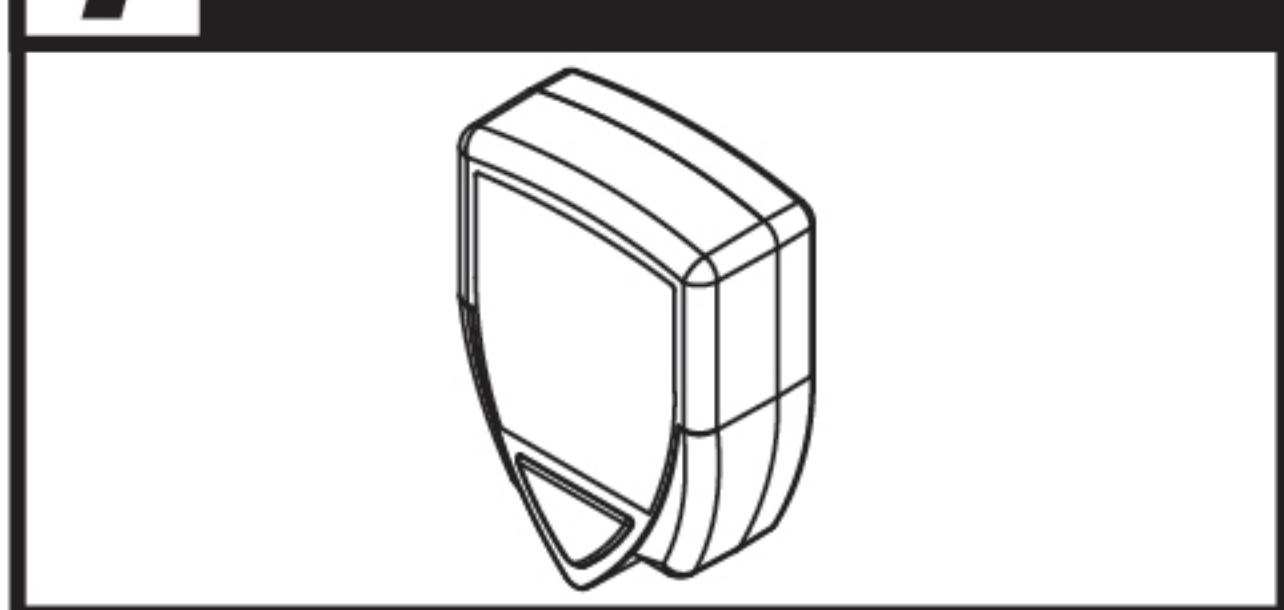
Press the Button one time



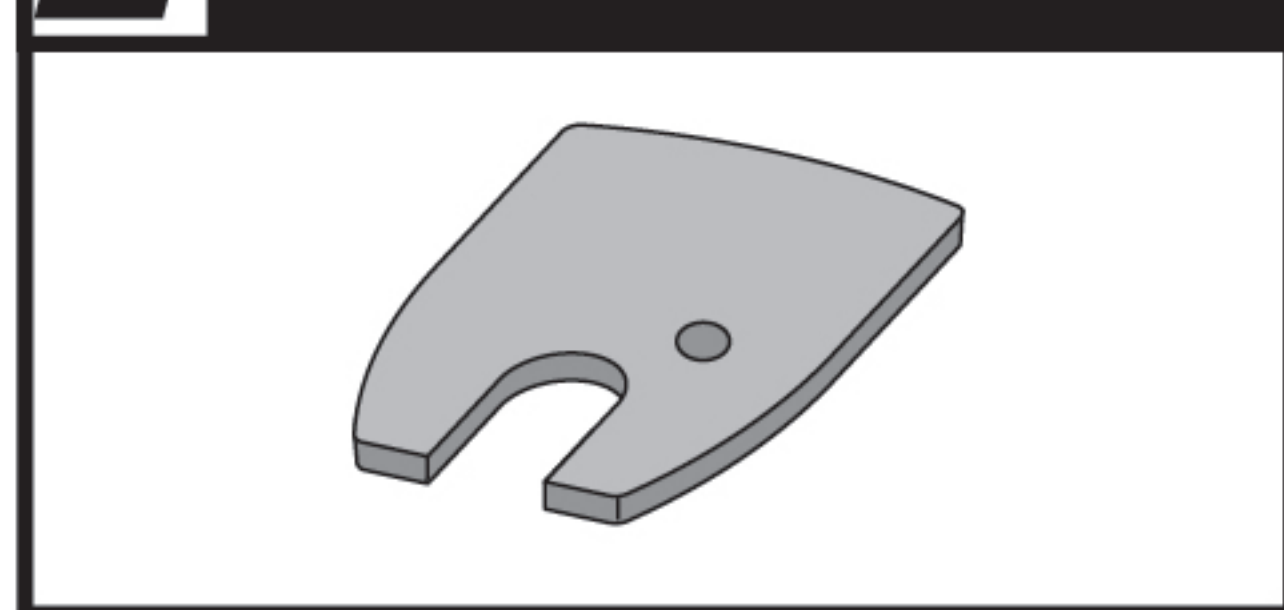
Press the Button 3 seconds

## 1 Accessories

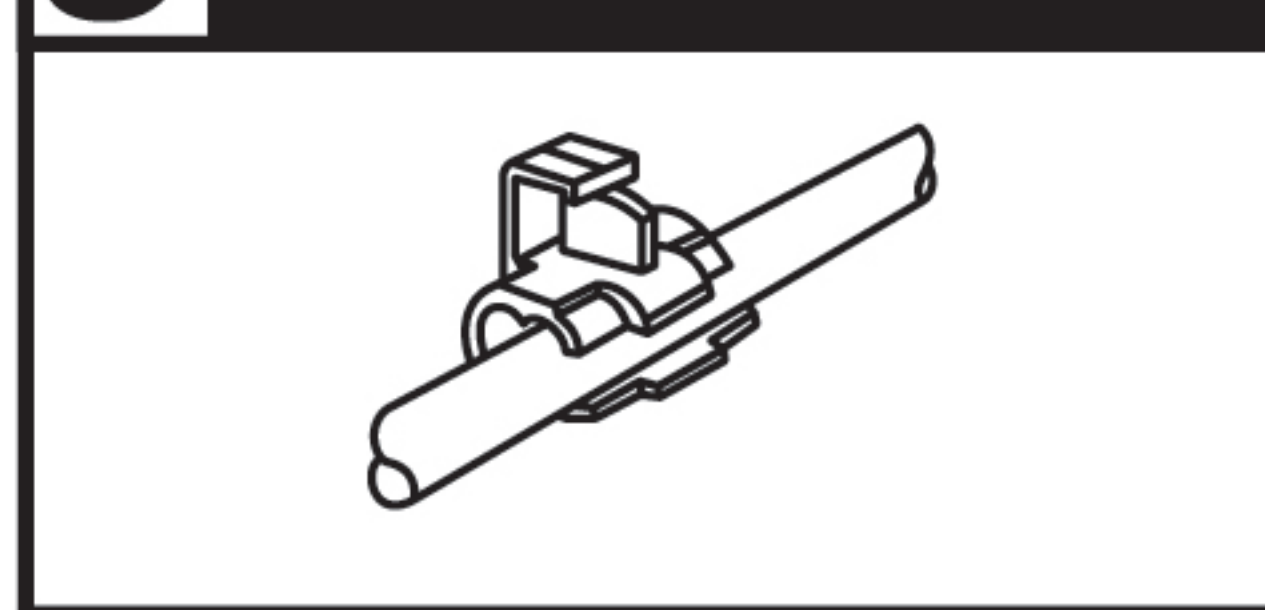
**1** Meter X1



**2** Velcro X1

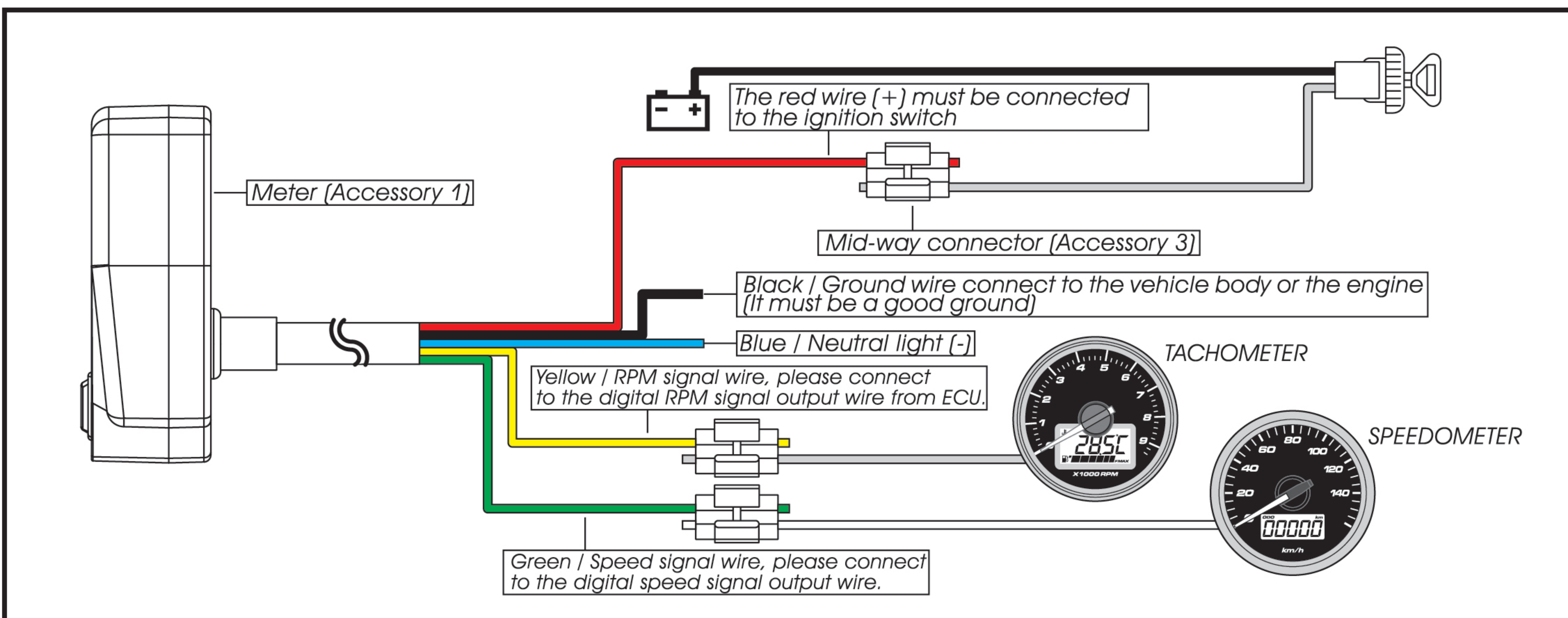


**3** Mid-way connector X5

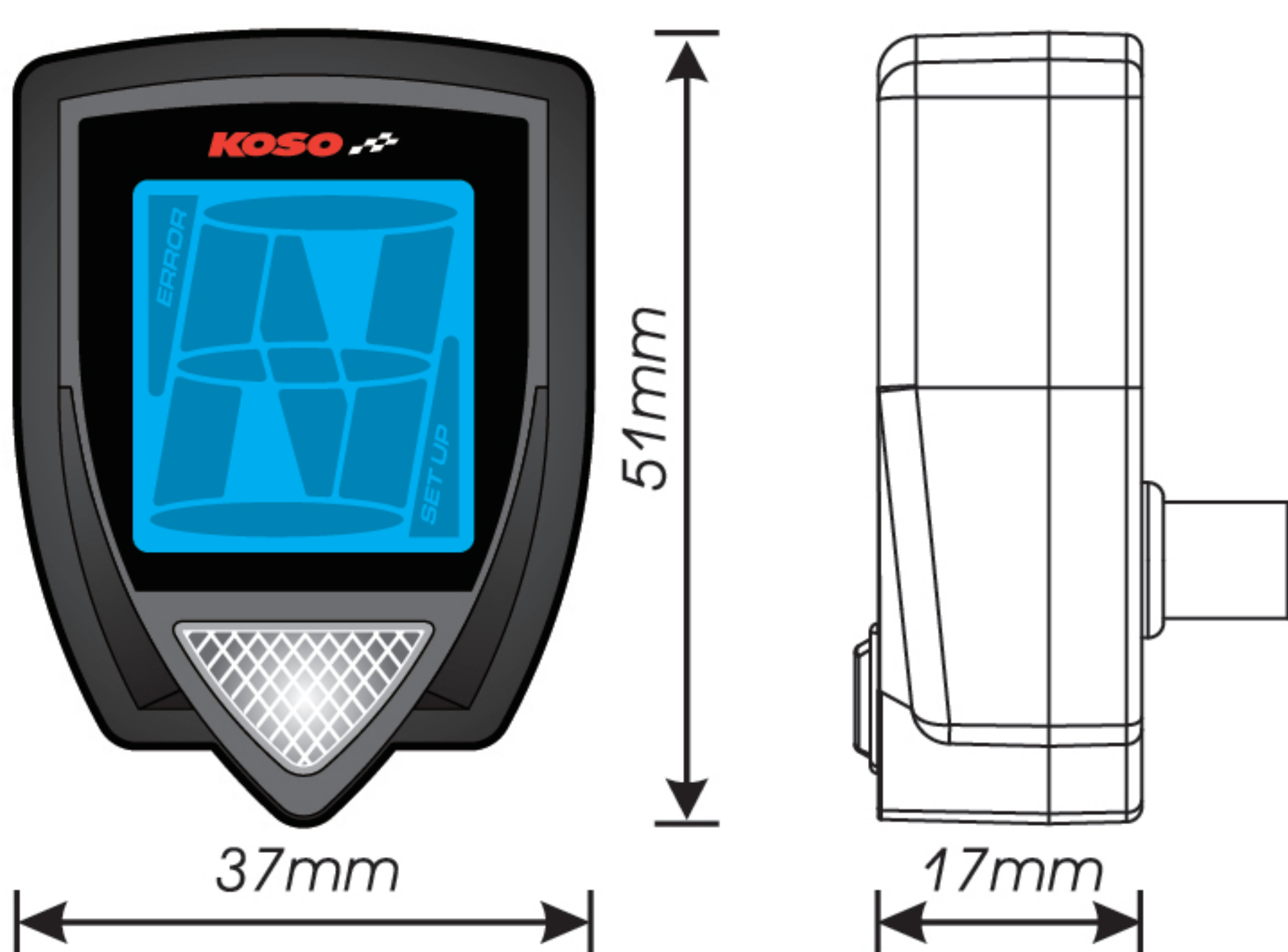


**NOTE** Please contact the local distributor if the items listed are not the same.

## 2 Wiring installation



## 3 Functions



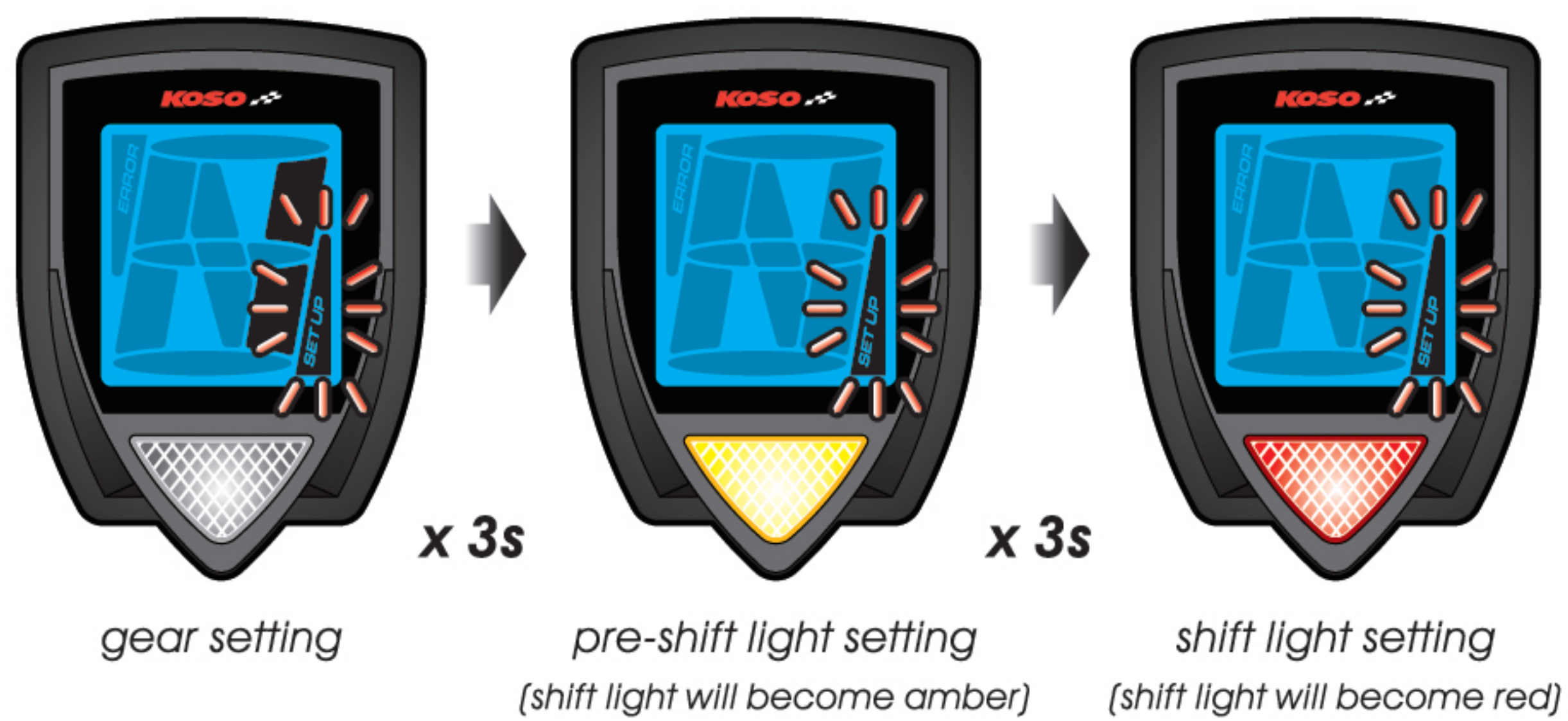
- Gear meter Display range: N, 1, 2, 3, 4, 5, 6, 7
- Effective voltage **DC 12V**
- Effective temperature range -10~+60°C (14~140°F)
- Meter standard JIS D 0203
- Meter size 37 X 51 X 17mm
- Meter weight Around 51.3g

**NOTE** Design and specification are subject to change without notice!

**NOTE** Please be advised that when the speed is too low, then the meter might not be able to detect the signal of the gear.

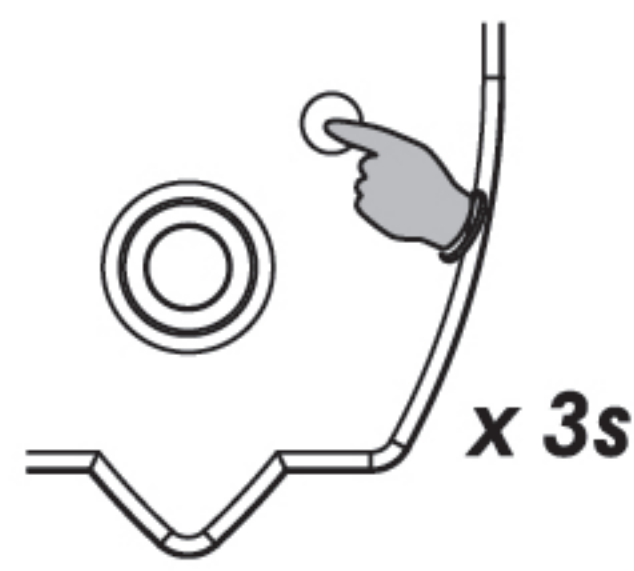


## 4-1 Setting screen instruction



- To enter the gear setting mode, press and hold the button for 3 seconds. Press again the button for 3 seconds in order to enter the pre shift light setting (button will become amber) and another time for 3 seconds to set the shift light (button will become red)

**NOTE** If no action has been taken after 30 seconds, the meter will automatically go back to the main screen.



## 4-2 The gear & shift light setting

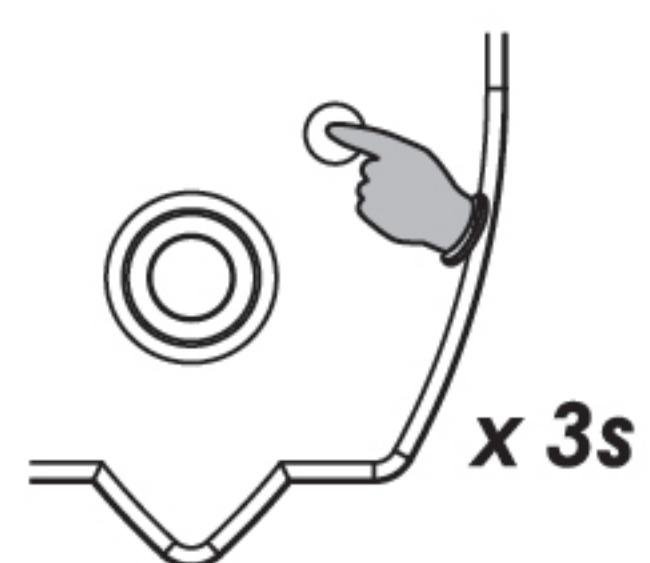


- If the meter can't detect the current gear, the meter screen will indicate --- and flash.



### Gear learning setting

**WARNING!** To avoid improper gear reading, make sure the motorcycle is in neutral position before entering the gear setting mode.



**STEP 1**

- Start the engine and put the motorcycle in neutral position. Press the button for 3 seconds in order to enter the gear setting mode. The screen will flash. Press briefly the button to enter learning mode.

**STEP 2**

- The main screen will now switch to number 1 and flash. Put the motorcycle in 1st gear and start riding slowly the motorcycle until the meter detect the correct gear. Once the meter has detected the 1st gear, the screen will automatically switch to number 2.

**STEP 3**

- The main screen now display the number 2. Put the motorcycle in 2nd gear and ride the motorcycle until the meter detect the correct gear. Once the meter has detected the 2nd gear, the screen will automatically switch to number 3.

**STEP 4**

- The main screen now display the number 3. Put the motorcycle in 3rd gear and ride the motorcycle until the meter detect the correct gear. Once the meter has detected the 3rd gear, the screen will automatically switch to number 4.

**STEP 5**

- The main screen now display the number 4. Put the motorcycle in 4th gear and ride the motorcycle until the meter detect the correct gear. Once the meter has detected the 4th gear, the screen will automatically switch to number 5.

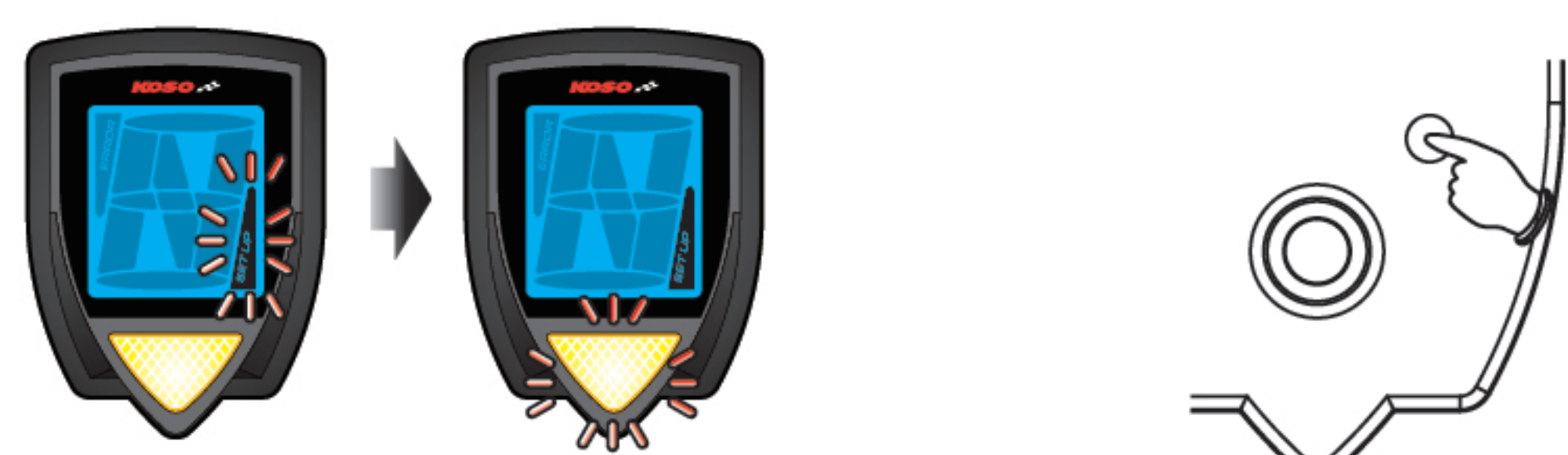
**STEP 6**

Ex: The main screen now display the number 6. If your motorcycle have 5 gears, slow down and wait until the meter goes back to the previous gear. Once the gear learning session is done, the meter will go up to the number 8 and flash.

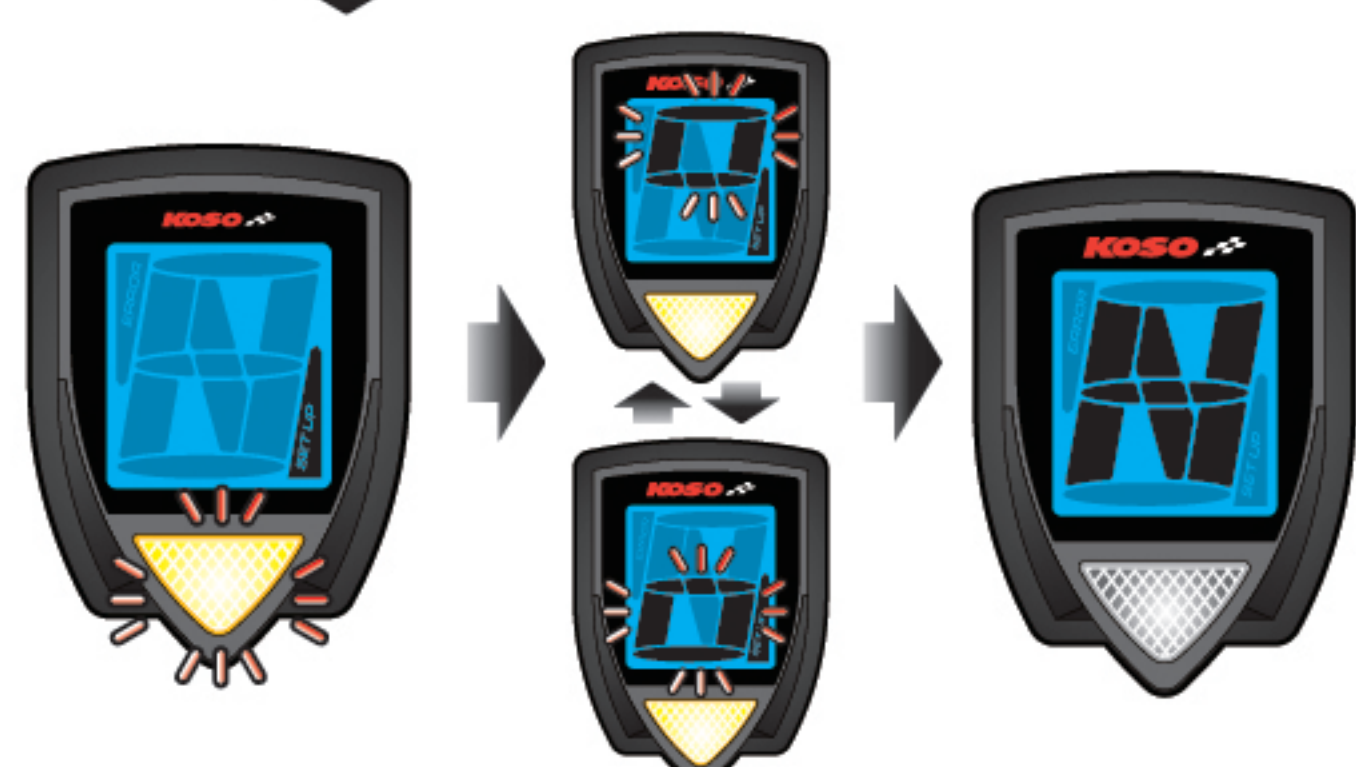


### Pre-shift light setting

- Put the meter in pre-shift light setting (see point 4-1).



The shift light will now become amber to indicate you are in the pre-shift light setting.



- Once you are in the pre-shift light setting, start the engine and put the motorcycle in neutral position. Increase the RPM of the engine until you reach half the RPM value you wish to set. Then, press the button to set the pre-shift light value.
- EX. If you wish to set the pre-shift light at 5000 rpm, rev the engine at half the value (2500 rpm) and push the button to set the value.



### Shift light setting

- Press the meter in shift light setting (see point 4-1). The shift light will now become red to indicate you are in the shift light setting.



- Once you are in the shift light setting, start the engine and put the motorcycle in neutral position. Increase the RPM of the engine until you reach half the RPM value you wish to set. Then, press the button to set the pre shift light value.
- EX. If you wish to set the shift light at 8000 rpm, rev the engine at half the value (4000 rpm) and push the button to set the value.