



● Thank you for purchasing our product. This product is a multifunction meter and is easy to install. Before using, please read the instructions carefully and retain them for future reference.

⚠ Attention!

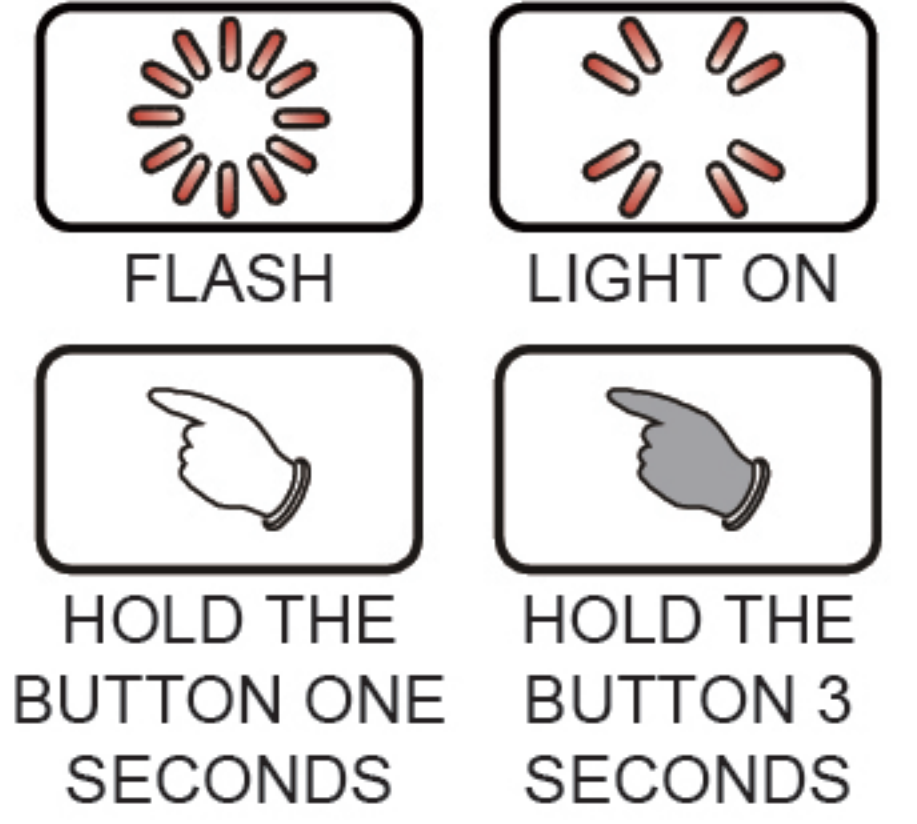
- For installation, please follow the steps described. Any damage caused by wrong installation shall be imputed to the users.
- To avoid a short circuit from occurring do not pull or modify the wires during installation.
- Do not disassemble or change any parts. Opening and disassembling this unit will void any warranty.
- Maintenance and repairs should be executed by our professionals only.

Ⓞ Symbol description:

NOTE

⚠ Some procedures must be followed to avoid damages to the instrument.

⚠ **WARNING!** Certain procedures must be followed to avoid damages to yourself, to the vehicle or others.



1 Accessories

1 Oil level and temperature dipstick X 1	2 Inner waterproof O-Ring X 1	3 Battery X 1

2-1 Basic Function Instruction

- Low battery warning symbol
- Light on steady
- Engine oil level display
- Display range: 1 ~ 4 level
- Temperature display
- Display range: 0 ~ 150 °C (32 ~ 302 °F)
- Display unit : 1 °C(°F)
- Low engine oil level warning symbol

● Thermometer	Display range : 0~150 °C(32~302 °F) Display unit : 1 °C(°F)
● Oil meter	Display range: 1 ~ 4 level
● Low battery warning	When low battery warning appears, battery replacement is needed to keep the dipstick accurate.
● Battery specification	CR2032
● Effective temperature	-10~+60 °C
● Meter standard	JIS D 0203(S2)
● Meter size	217x48 mm
● Meter weight	273 g

NOTE Design and specifications are subject to change without notice.

2-2 Engine Oil Level Display

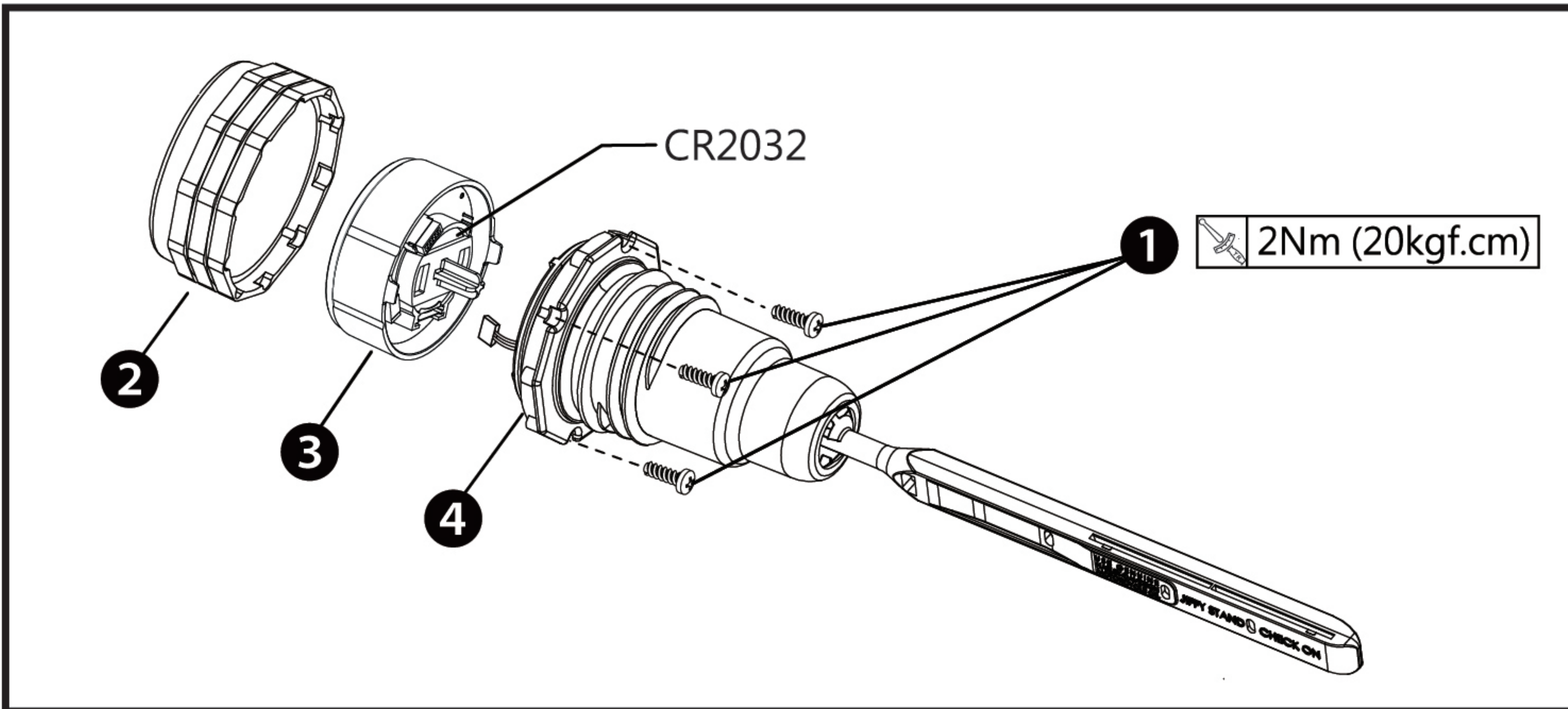
(The image shows the positive LCD display mode)

- 100% — Engine oil level is full
- 75% — Engine oil level is 0.24L from full
- 50% — Engine oil level is 0.47L from full
- 25% — Engine oil level is 0.71L from full

The screen can be moderately changed to adjust your angle. Please keep adjustments to a minimal rotation as it could potentially cause damage to wires on the interior or the head.

⚠ **CAUTION!** Low engine oil level warning symbol appears, please check the engine oil level as soon as possible to refill or replace.

3-1 Battery Replacement Instruction



Please, follow the steps below

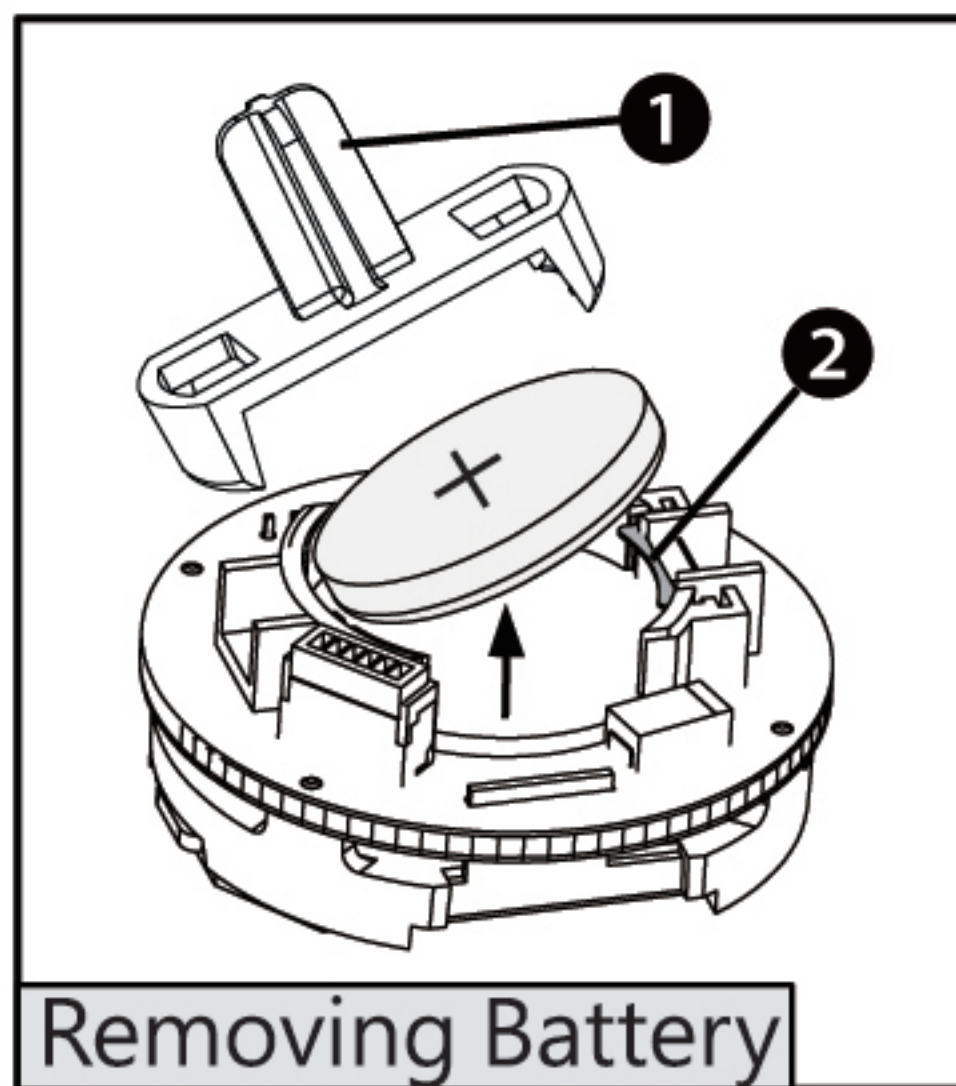
- ① M2 Socket Head Cap Screws
- ② Aluminum alloy lid
- ③ Display panel and LCD assembly
- ④ Main body assembly

NOTE While disassembling ③ & ④. Do not pull the wire, to prevent damage.

NOTE Please refer to the diagram to disassemble. And install according to the reverse order of disassembly.

WARNING! Do not use high-pressure water stream to wash directly.

Replacing the Battery

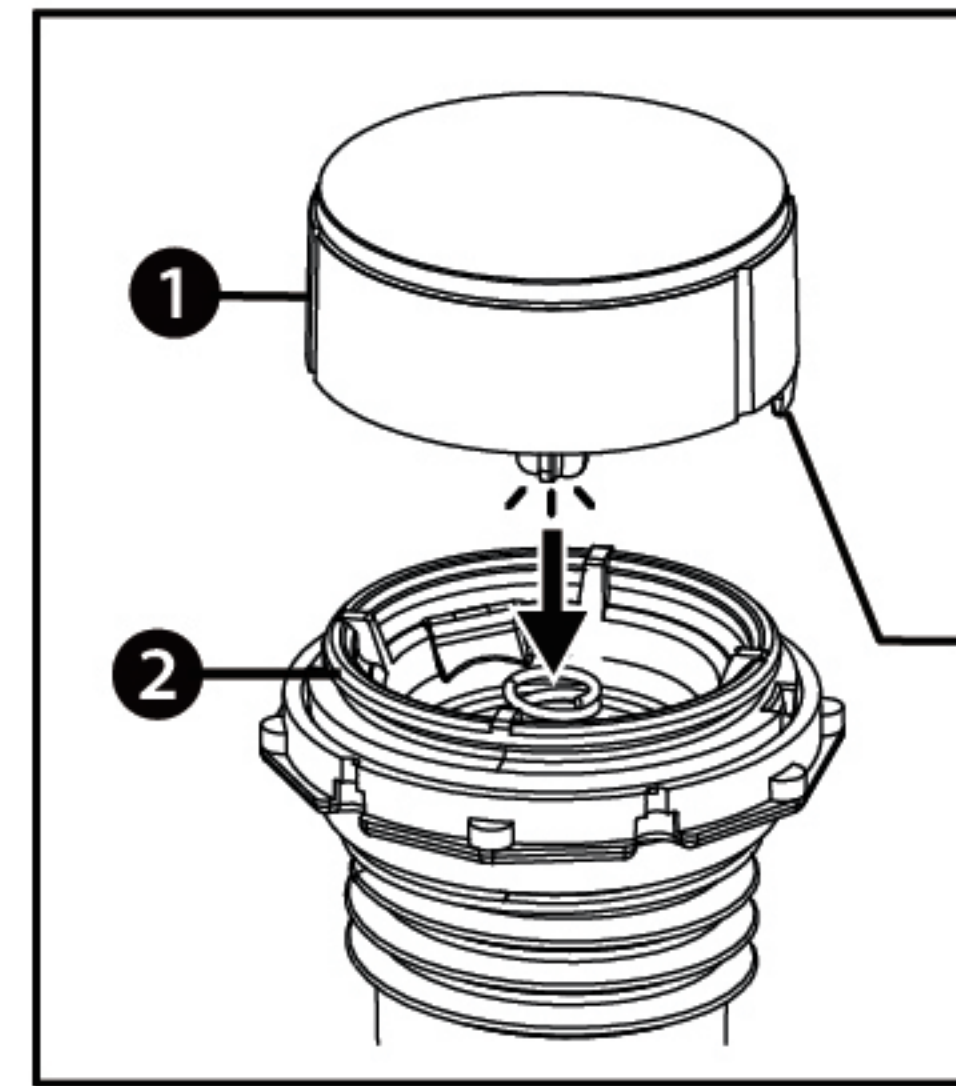


Removing Battery

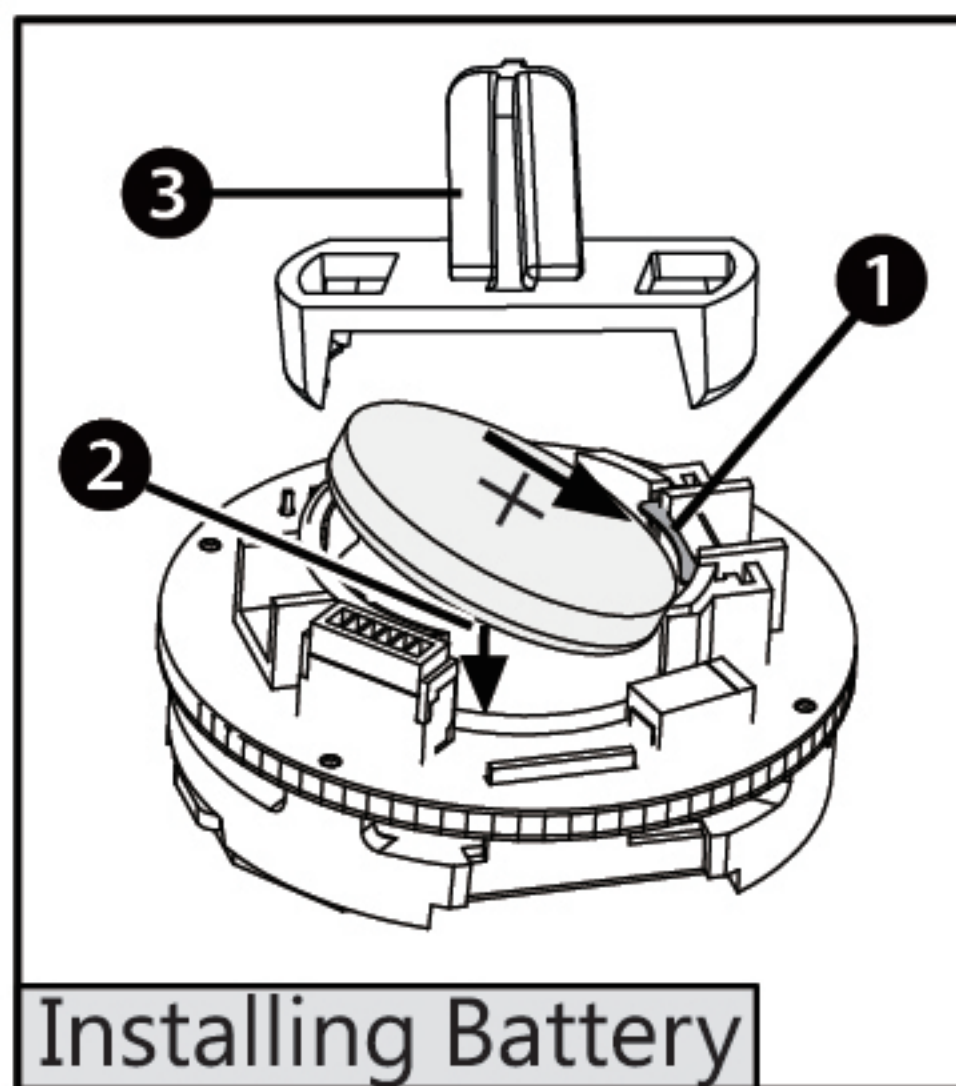
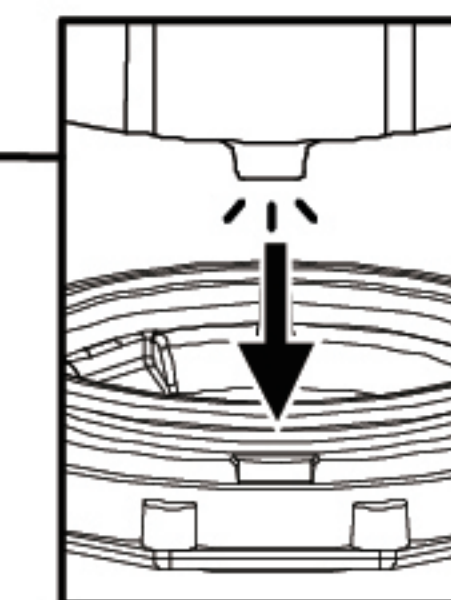
1. Please follow the steps below to remove the battery (CR2032).

- Step 1. Remove ① the spring bracket.
- Step 2. Use flat head screwdriver push ② shrapnel backwards.
- Step 3. When the tab is loose, remove the battery.

NOTE Carefully remove the battery to prevent breaking the tab.



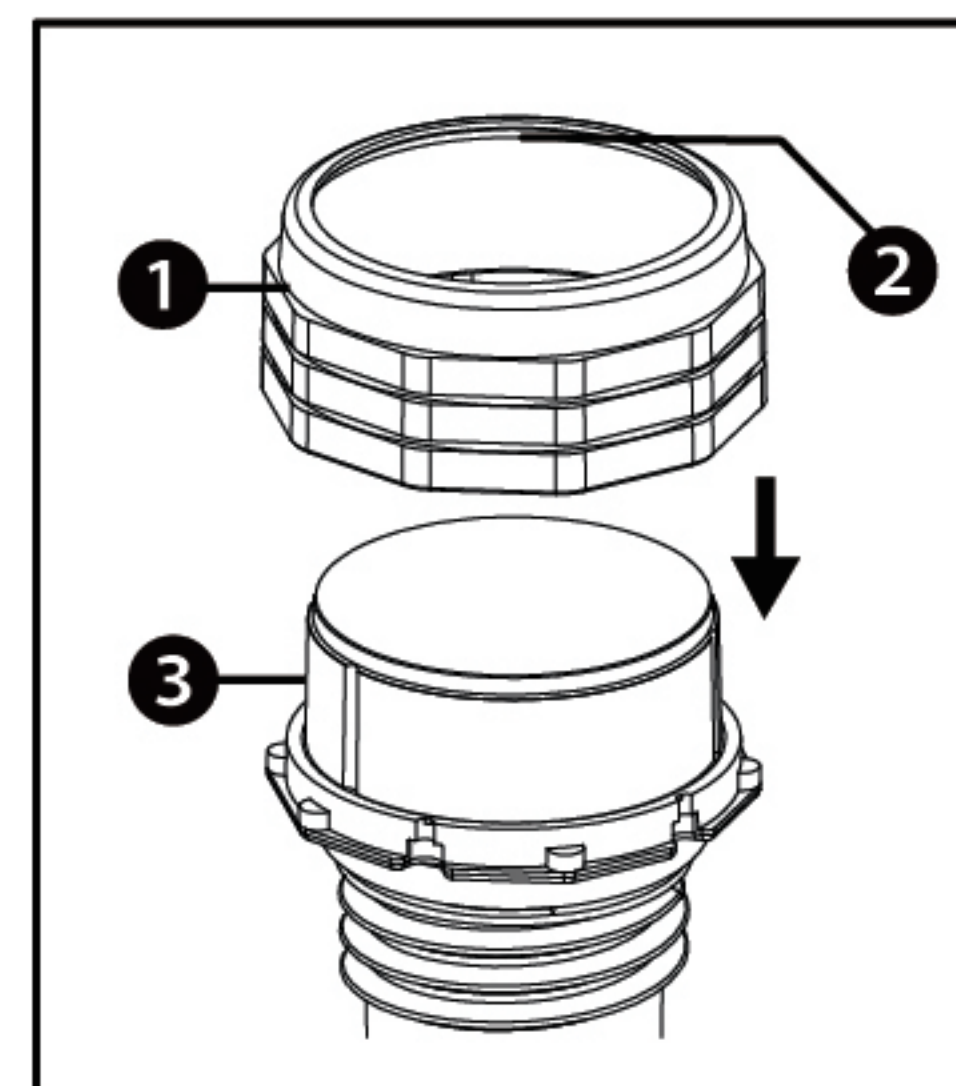
3. When fitting ① the LCD mirror surface lid with ② the main body and inner cap, please insert the spring into the bracket and align it with the sticking point for a firm structure.



Installing Battery

2. Please follow the steps below to install the battery.

- Step 1. Tilting the battery and place it below ① the tab.
- Step 2. Press the battery downwards to ② the battery space, until the "click" sound appear to settle the battery.
- Step 3. Snap ③ the spring bracket with the battery.



4. Notes for assembling the aluminum alloy lid :
 Step 1. Ensure ② the o-ring is inside ① the aluminum alloy lid is placed at the groove on the front end, confirm ③ the surface and the lid are correctly aligned to prevent displacement of the o-ring, then press and fix the lid onto the main body.
 Step 2. To ensure that the previous step is done properly, wait for a few seconds for the standby mode. When the LCD is off, fasten the inner hexagonal screw. You have now successfully replaced the battery.

3-2 Battery Replacement Instruction



When low battery warning symbol appears, battery replacement is needed immediately.

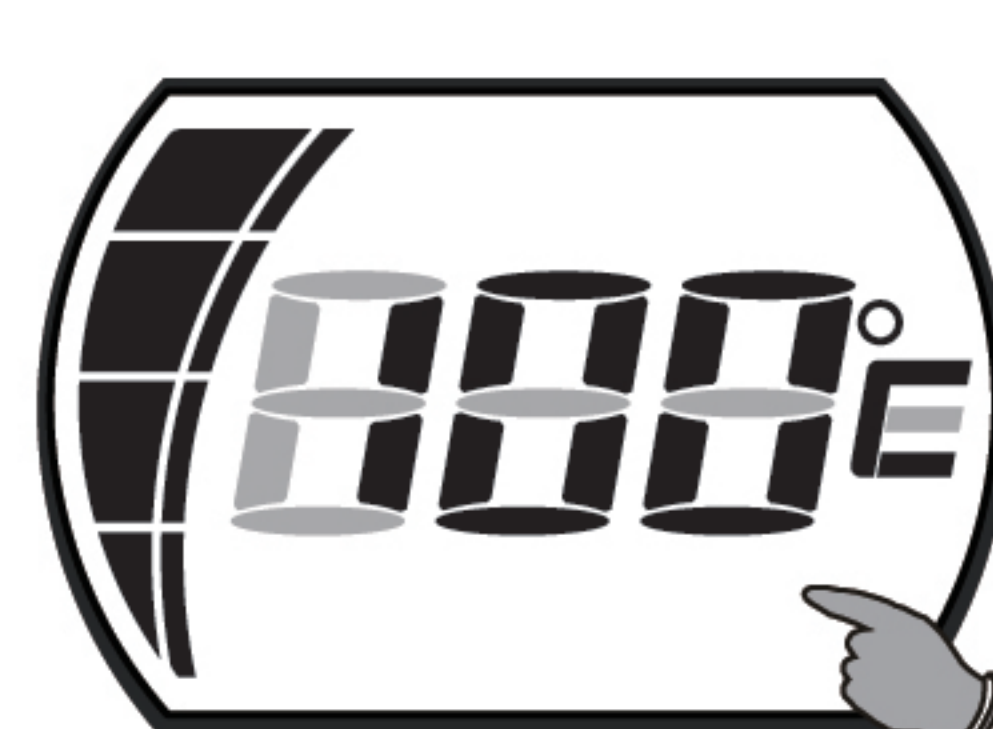
NOTE Please refer to the replacing battery instruction above.

NOTE The warning symbol is illuminated.



● The low battery warning symbols will disappear after battery replacement.

3-3 Temperature Unit Switching Instruction



● Press and hold the main screen for 3 seconds to change the temperature unit.



4 Trouble shooting

The following situation do not indicate malfunction of the meter. Please check the following points, before contacting us.

Trouble	Check item
The meter does not display properly.	<ul style="list-style-type: none"> ● Maybe the wire is not correctly connected, → Please check if the wire is correctly connected. ● Maybe the problem is caused due to insufficient power. → Please change the internal battery. ● Maybe the problem is caused by incorrect battery installation. → Please check is the battery direction is correct.
Engine oil display error.	<ul style="list-style-type: none"> ● Wrong bike model of motorcycle. → Please check if the bike fits the dipstick. ● Incorrect reading caused by vibration. → Due to engine vibration after starting, it can cause the oil surface to jump. Thus the oil level may be incorrect.

※ If the problems still can't be solved, please contact our technical department.