



● Thank you for purchasing our product. Before installing. Before installing/operating the product, please read the instruction thoroughly and retain them for future reference.

⚠ Notice

1. For installation, please follow the steps described in manual. Any damage caused by wrong installation shall be imputed to the users.
2. Do not disassemble or change any parts excluding the manual description.
3. The interior examination or maintenance should be executed by our professionals.

©Symbol description:

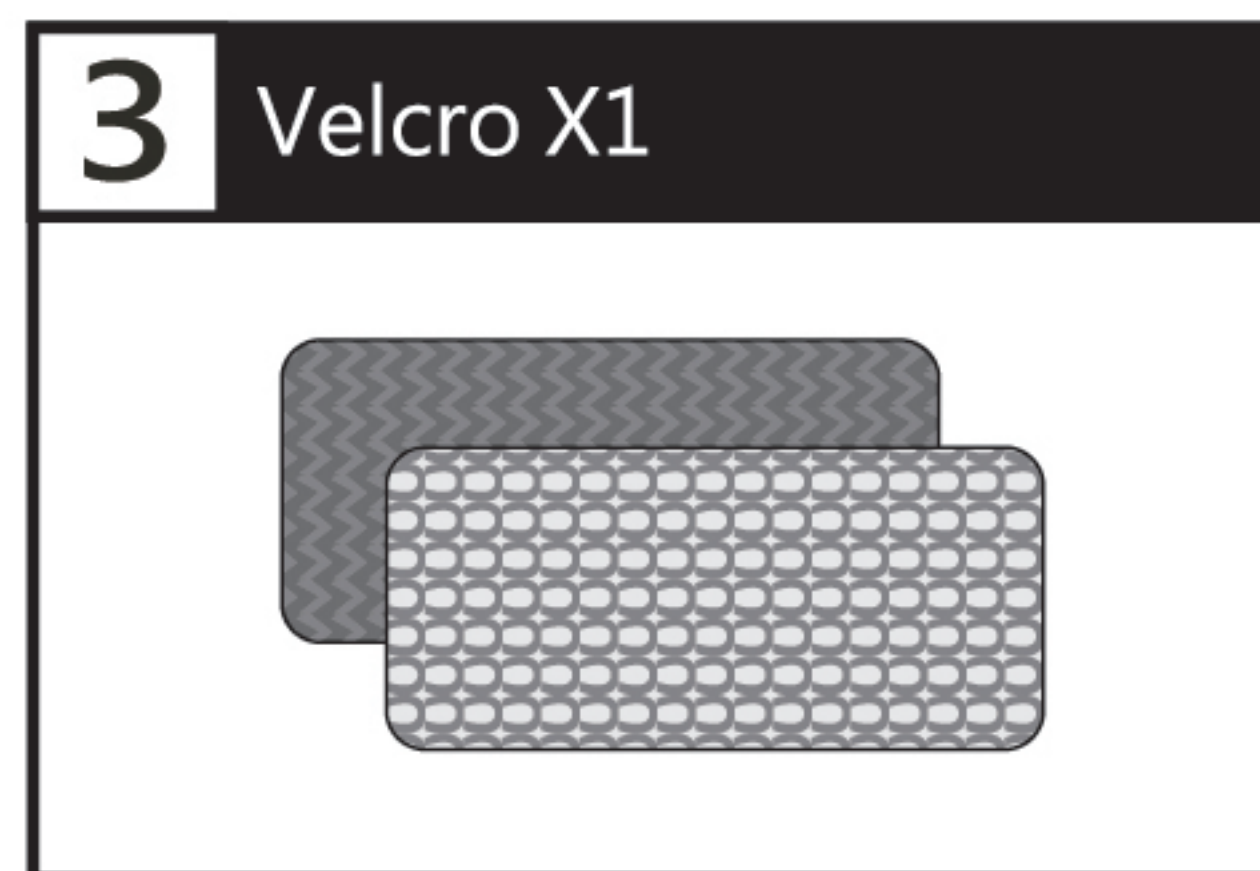
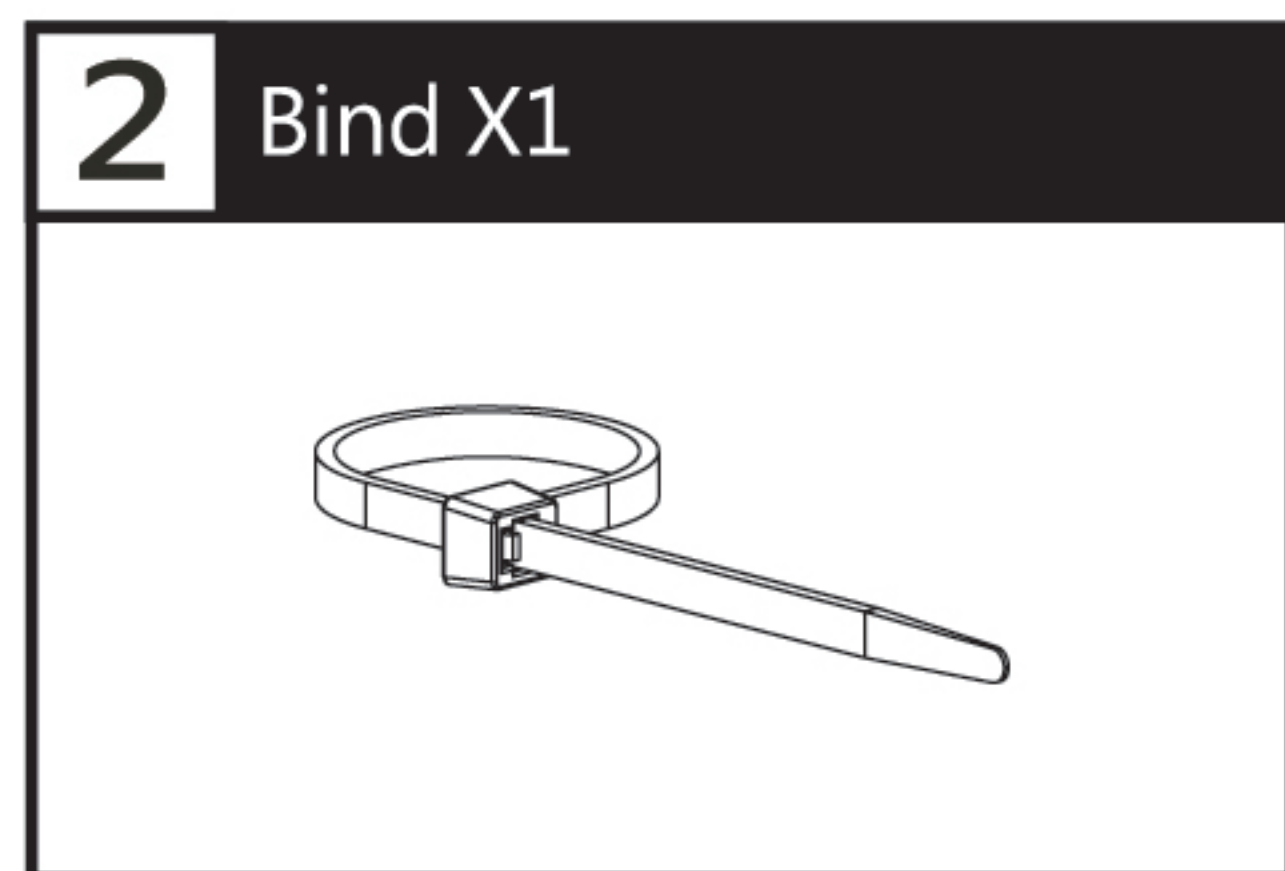
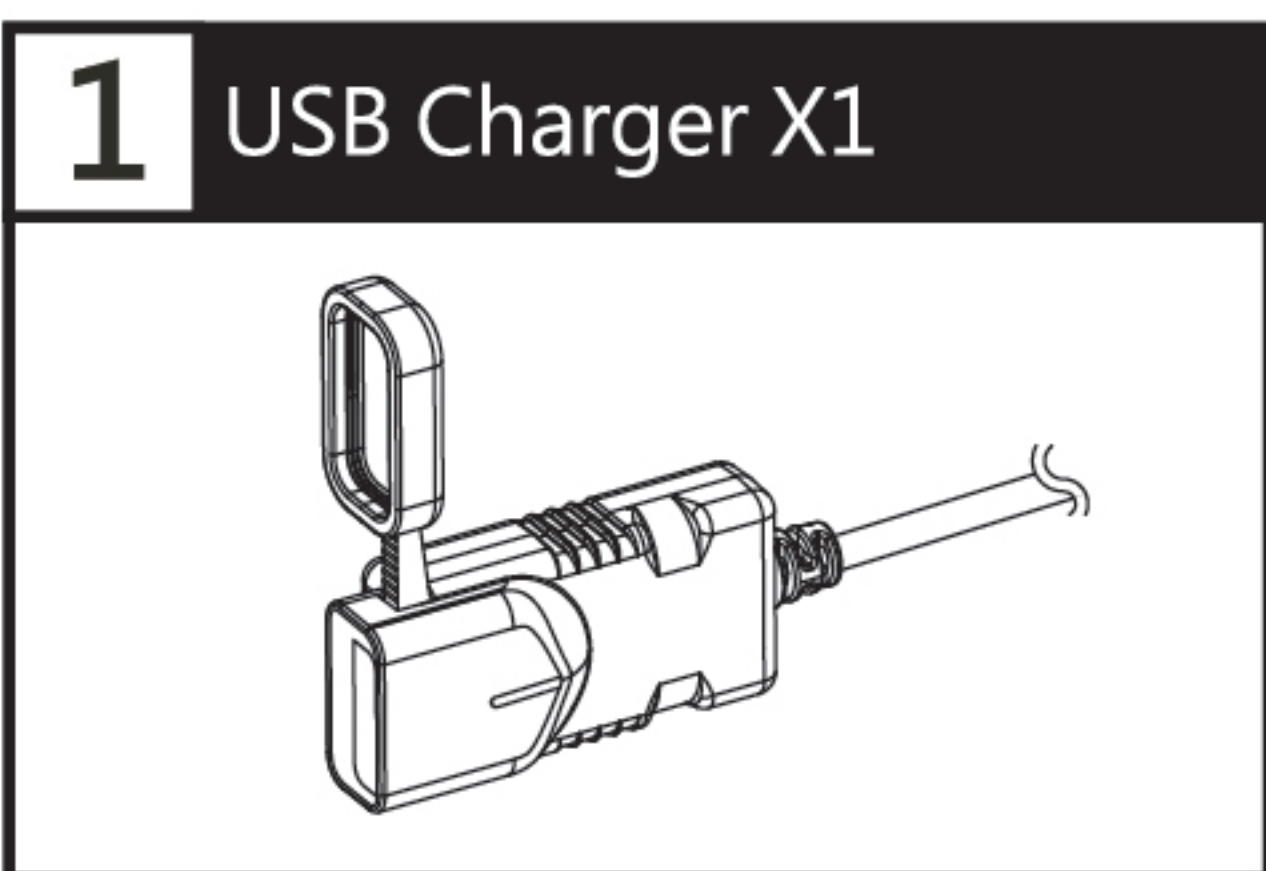
NOTE Implies certain process procedure is more easily understood through this note.

⚠ Implies certain process must be cautious to avoid affection to installation quality.

⚠ Warning! Implies certain process must be obeyed, to avoid any injuries to user himself and others or damaging vehicle.

⚠ Caution! Implies certain process must be obeyed, to avoid any damaged to vehicle.

1 Accessory

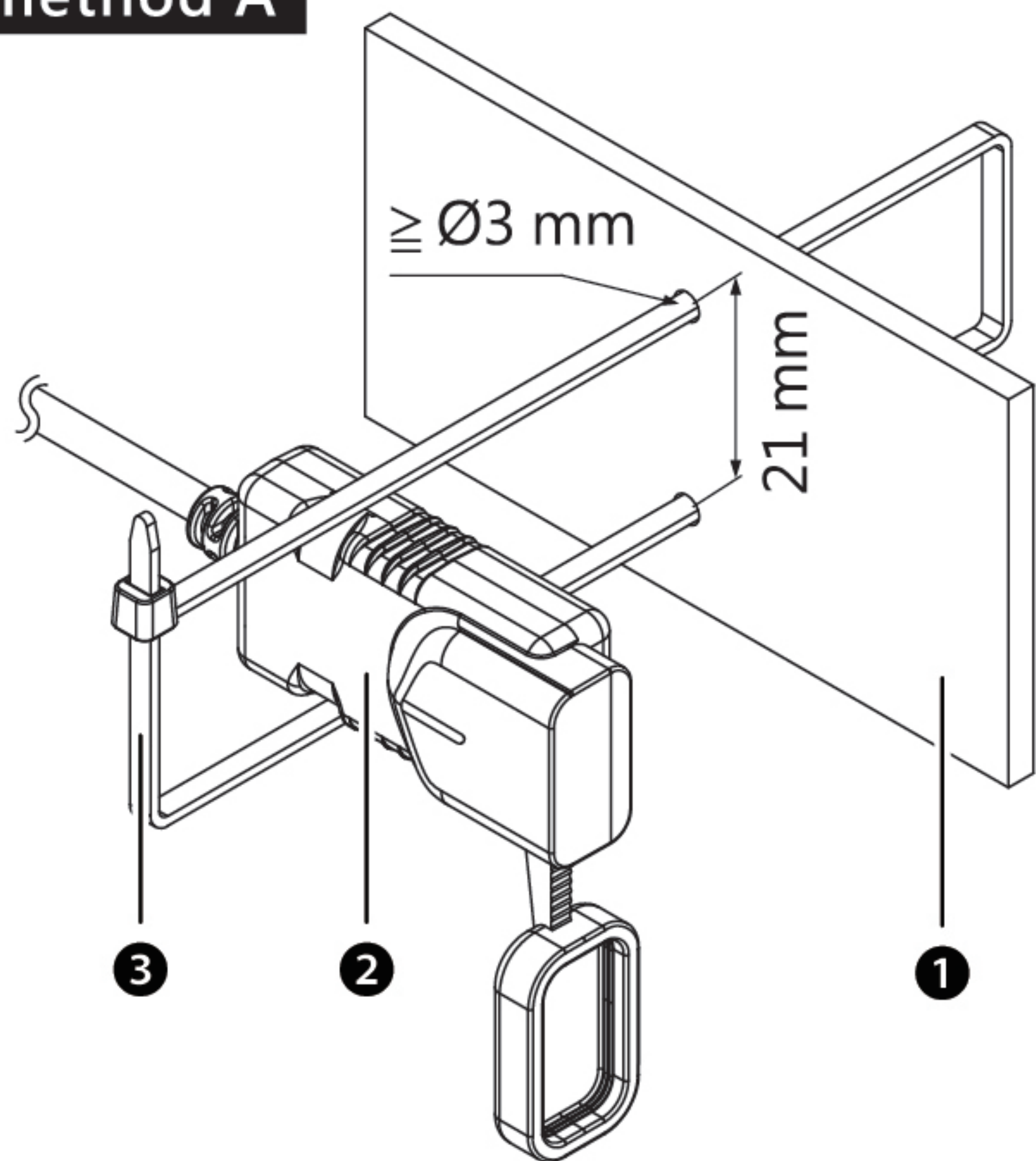


NOTE Please confirm the above accessories are complete, if accessories are not complete, please contact your dealer as soon as possible.

2-1 Installation instruction

KOSO USB Charger could be installed in two methods, please find the one suitable for your vehicle and follow the instruction. Follow the steps below during installation.

Installation method A



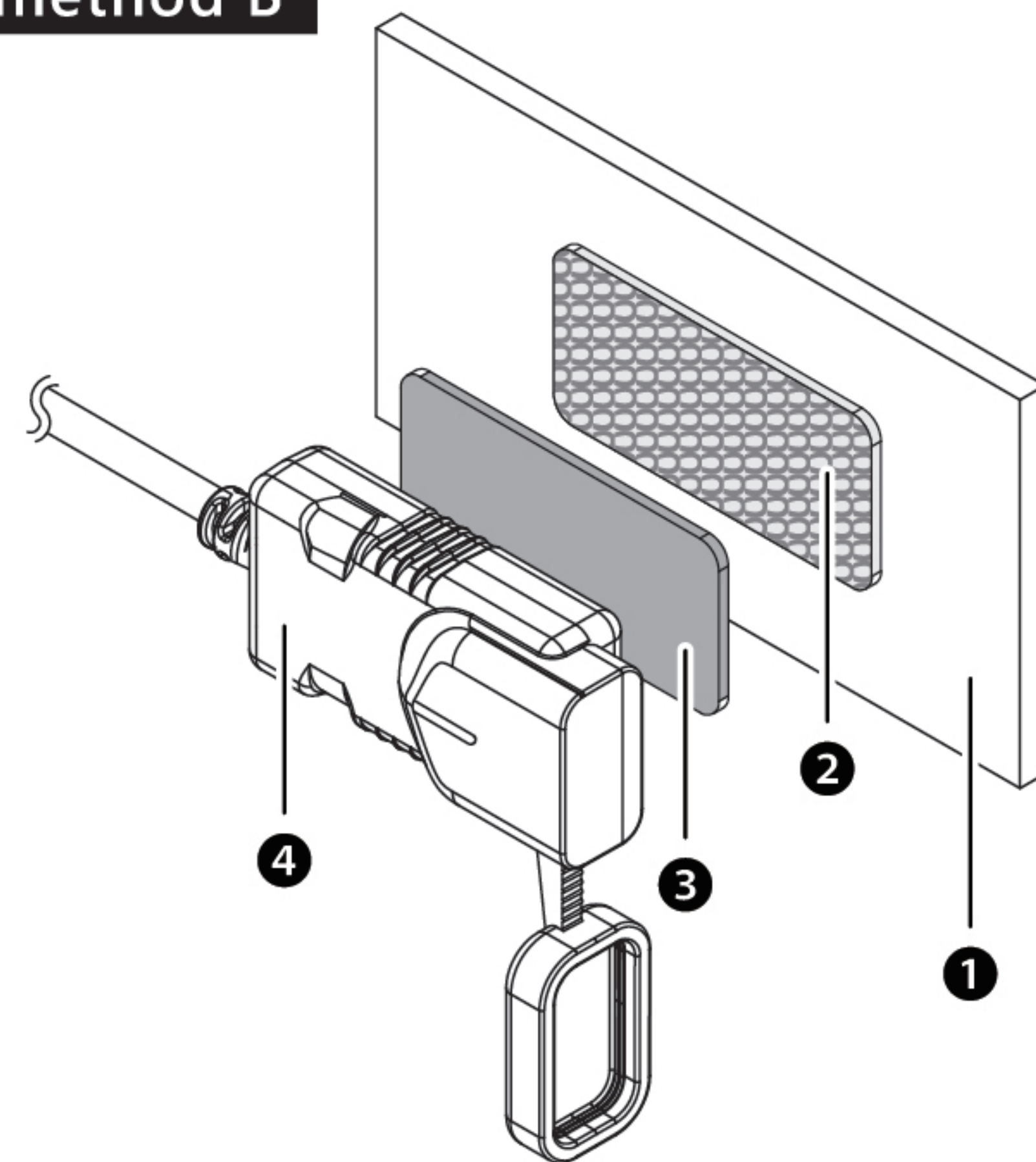
① Please use proper tool to drill a hole on the correct position of the body case.

NOTE When you drill the hole, please be aware the diameter of the hole cannot be smaller than 3mm. If the diameter is smaller than 3mm, then cable tie might not be able to go through.

② USB Charger (Accessory 1)

③ Bind (Accessory 2)

Installation method B



① Vehicle case position

② Velcro - Female (Accessory 3)

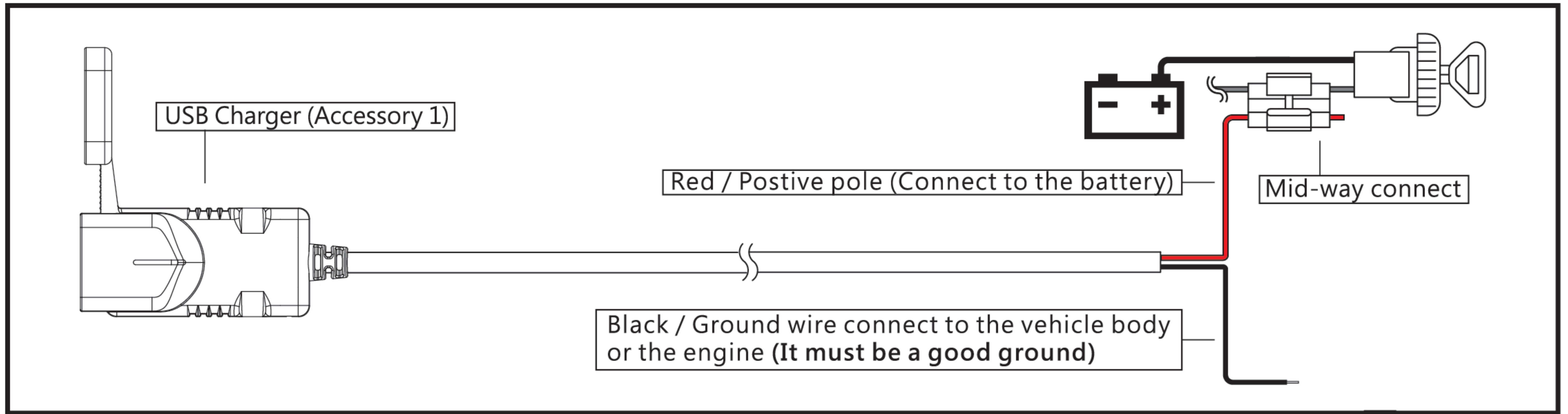
③ Velcro - Male (Accessory 3)

④ USB Charger (Accessory 1)

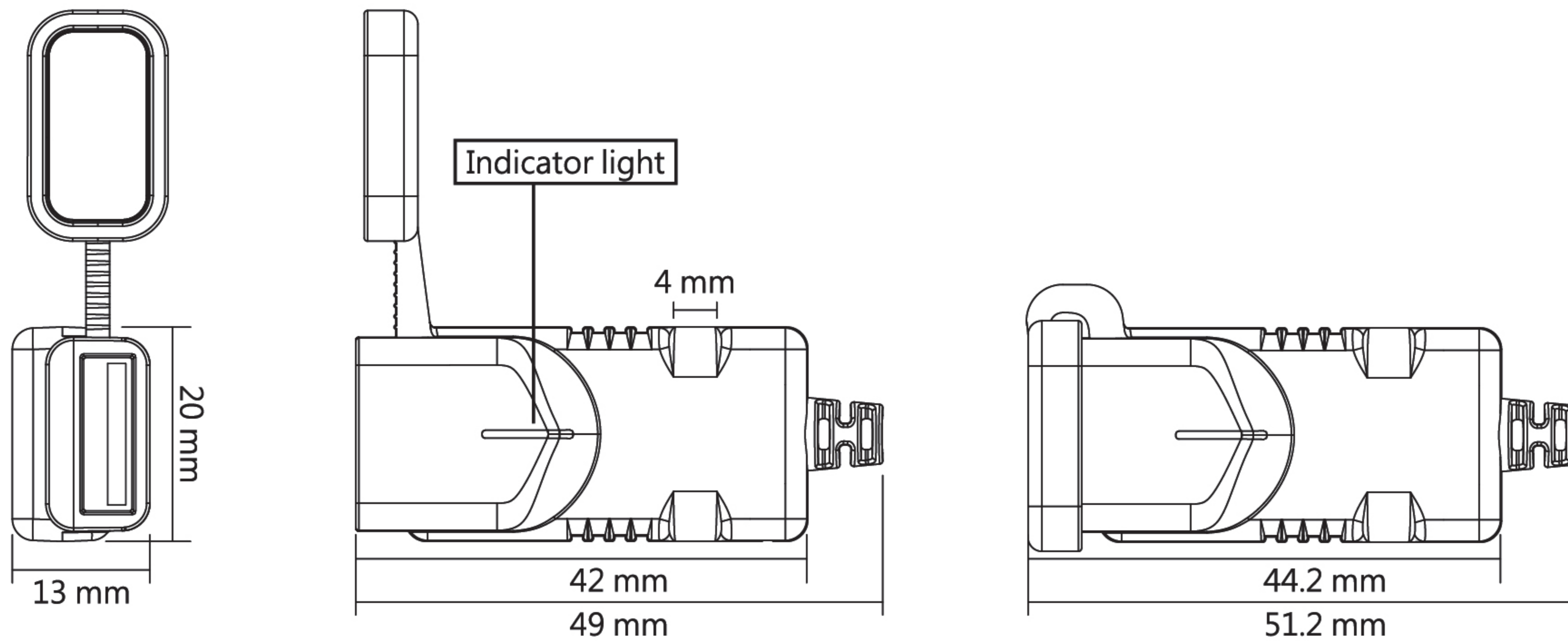
NOTE Please clean up the surface (including grease, water, and dust) where you want to apply the Velcro before stick it on. Also please use your thumb to press few times with all area of the Velcro after stick it on the surface to ensure the Velcro is fully contact with surface also enhance the stickiness.

NOTE Total harness length is 1000mm (1m), so please be careful about the hole drilling position to prevent the length shortage of the harness.

2-2 Wiring installation instructions



3 Instruction of function



● USB Working Voltage	Voltage Range : DC 11.5 ~ 16 V Output specifications : DC 5 V ± 0.25 V / 2.1 A
● Indicator (Blue light)	The indicator light will be on when the battery voltage is normal.
○ Indicator (Red light)	The indicator light will flash and stop charging function when the battery voltage below 11.5V.
● Effective temperature range	-10 ~ 60 °C
● IP Level	IP54
● Size	49 X 13 X 20 mm
● Weight	About 31.5 g

⚠ Warning! During the vehicle washing, please DO NOT spray the water or soap directly to the USB charger; this could avoid the charger damage and fail to charge the device. In the raining day, please DO NOT use the device and close the cover.

⚠ When the USB Charger is not in use, please close the cover to avoid the dust stuck inside the USB hub to cause the damage and fail to charge.

NOTE Design and specifications are subject to change without notice!

4 Trouble shooting

The following situation do not indicate malfunction of the meter. Please check the following points, before taking it in for repair.

Trouble	Check item
No charging function or Indicator light not functioning.	<ul style="list-style-type: none"> ● There might be no power supply <ul style="list-style-type: none"> → Please make sure the wires are connected. → Please make sure the positive/negative poles are properly connected. → Battery malfunction or battery voltage lower than 11.5V. → Check the wires of product and device.

※If the problems still can't be solved, please contact your local distributor to get assistance.