



Thank you for purchasing USB Charger , please read the instruction throughly befor installing.

### ⚠ Notice

- 1.For installation, please follow the steps described in manual. Any damage caused by wrong installation shall be imputed to the users.
- 2.To avoid the short circuit, please don't pull the wire when installing. Don't break or modify the wire terminal.
- 3.Do not disassemble or change any parts excluding the manual description.
- 4.The interior examination or maintenance should be executed by our professionals.

ⓄSymbol description:

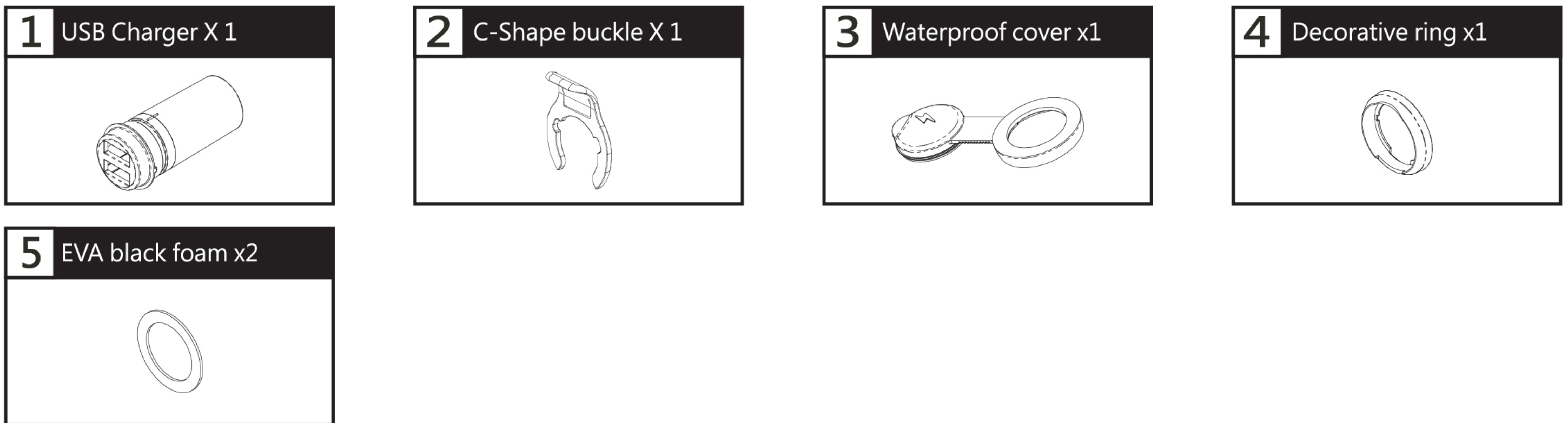
**NOTE** Implies certain process procedure is more easily understood through this note.

⚠ Implies certain process must be cautious to avoid affection to installation quality.

⚠ **Warning!** Implies certain process must be obeyed, to avoid any injuries to user himself and others or damaging vehicle.

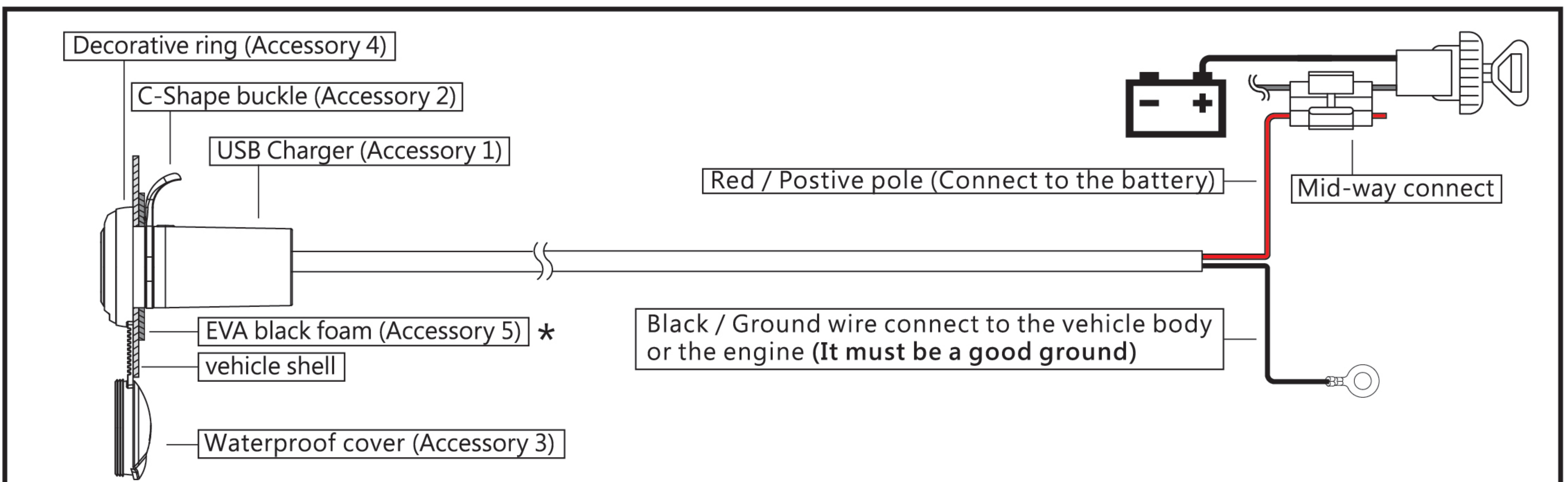
⚠ **Caution!** Implies certain process must be obeyed, to avoid any damaged to vehicle.

## 1 Accessory



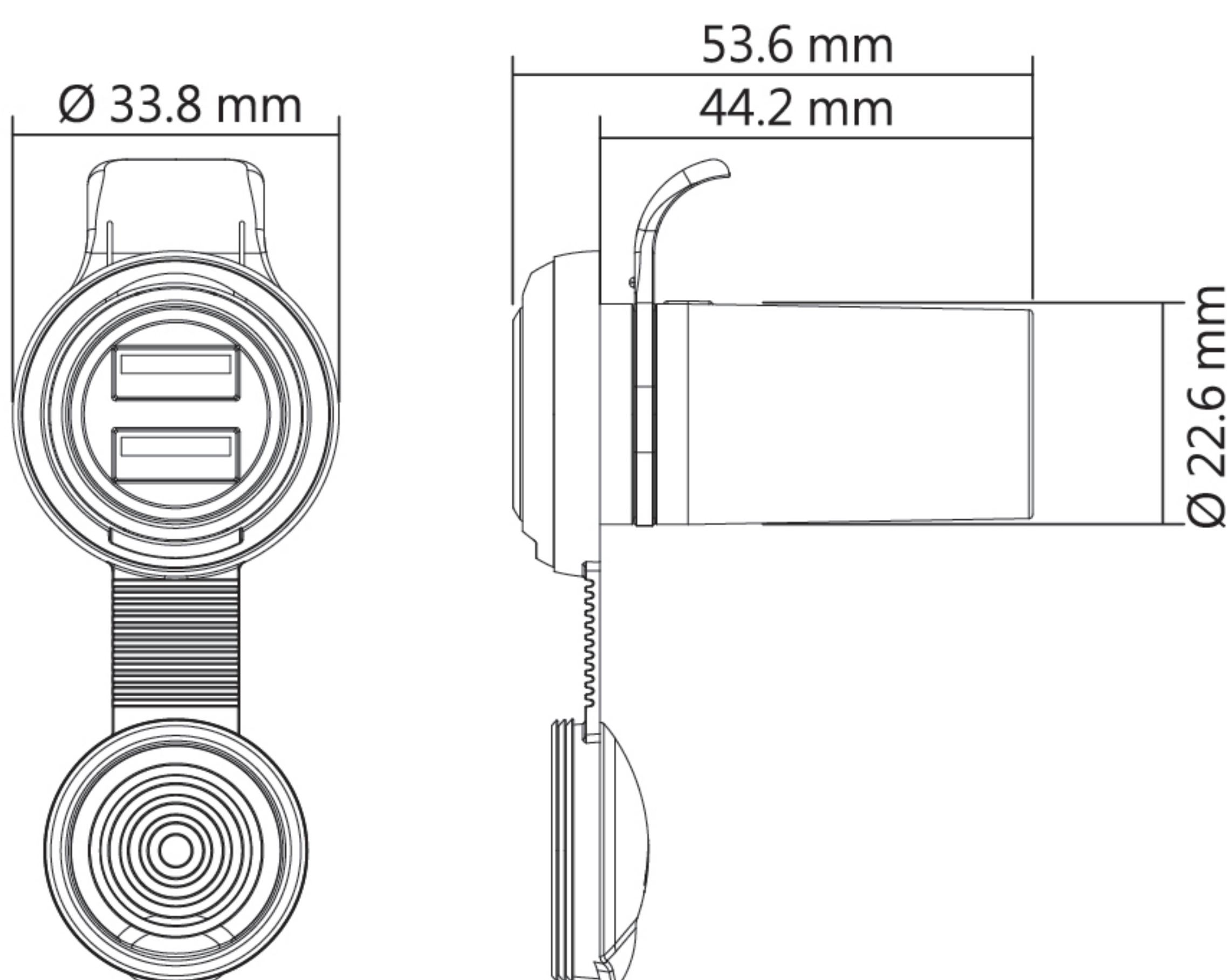
**NOTE** Please confirm the above accessories are complete, if accessories are not complete, please contact your dealer as soon as possible.

## 2 Wiring installation instructions



**NOTE** \*Use EVA black foam(Accesyory 5) in accordance with actual condition. During installation, if the tightness between USB charger (Accesyory 1) and vehicle shell is loosey, you may stick the EVA black foam(Accesyory 5) to the inner part of vehicle shell, then insert the C-shape buckle(Accesyory 2) to increase the tightness.

## 3 Instruction of function



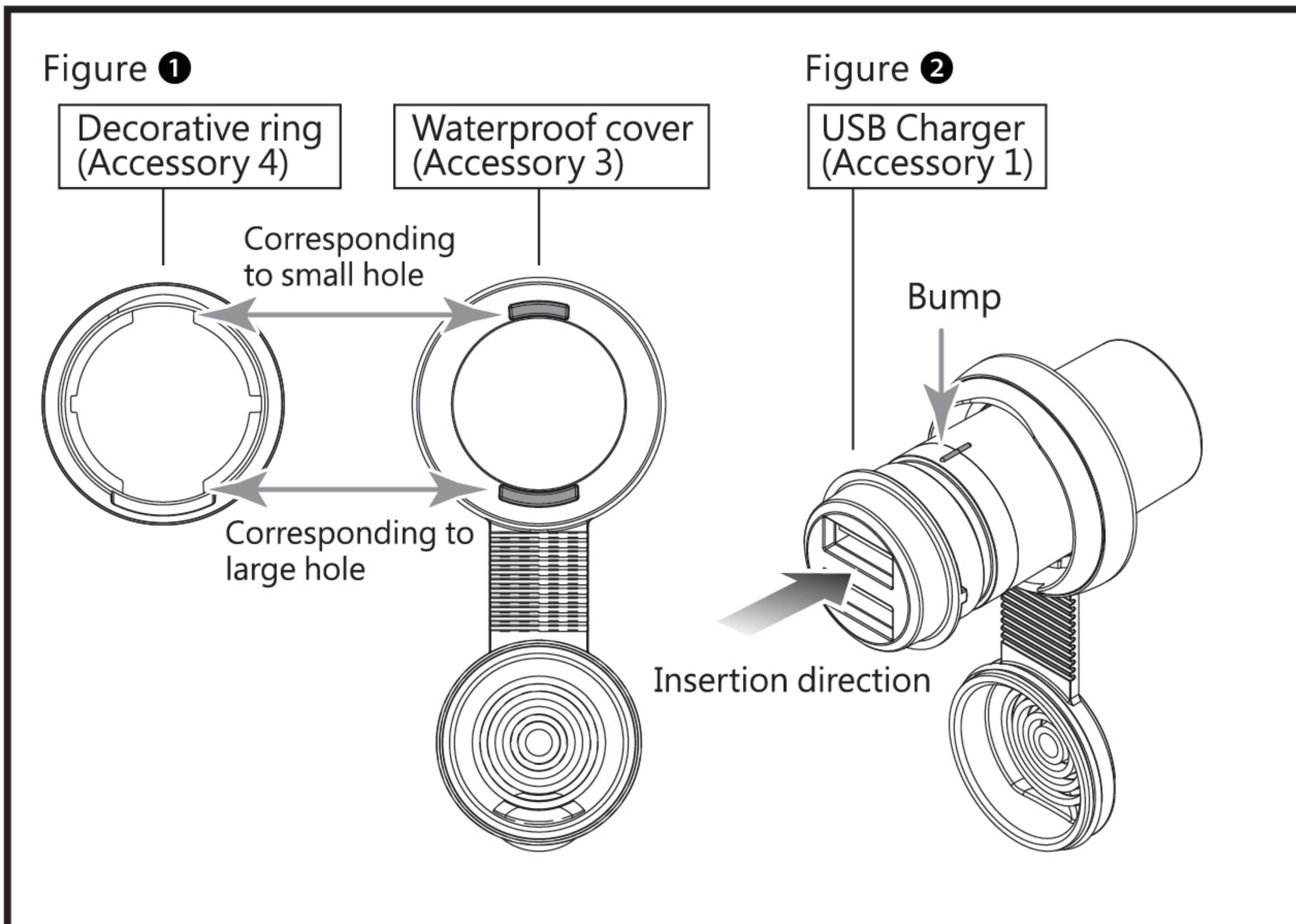
- USB Working Voltage Voltage Range : DC 12.5 ~ 24 V  
Output specifications : DC 5 V ± 0.25 V / 2.1 A & 2.1 A
- Indicator (Red light) Blink warning when lower than DC 13.0 V
- Indicator (Green light) Lit. indicate input voltage is normal
- Effective temperature range -10 ~ 60 °C
- Meter size 53.6 X 22.6 mm
- Meter weight About 54.3 g

⚠ **WARNING!** During the vehicle washing, please DO NOT spray the water or soap directly to the USB charger; this could avoid the charger damage and fail to charge the device. In the raining day, please DO NOT use the device and close the cover.

⚠ When the USB Charger is not in use, please close the cover to avoid the dust stuck inside the USB hub to cause the damage and fail to charge.

**NOTE** Design and specifications are subject to change without notice!

## 4-1 Installation instruction



When installing, please follow the process.

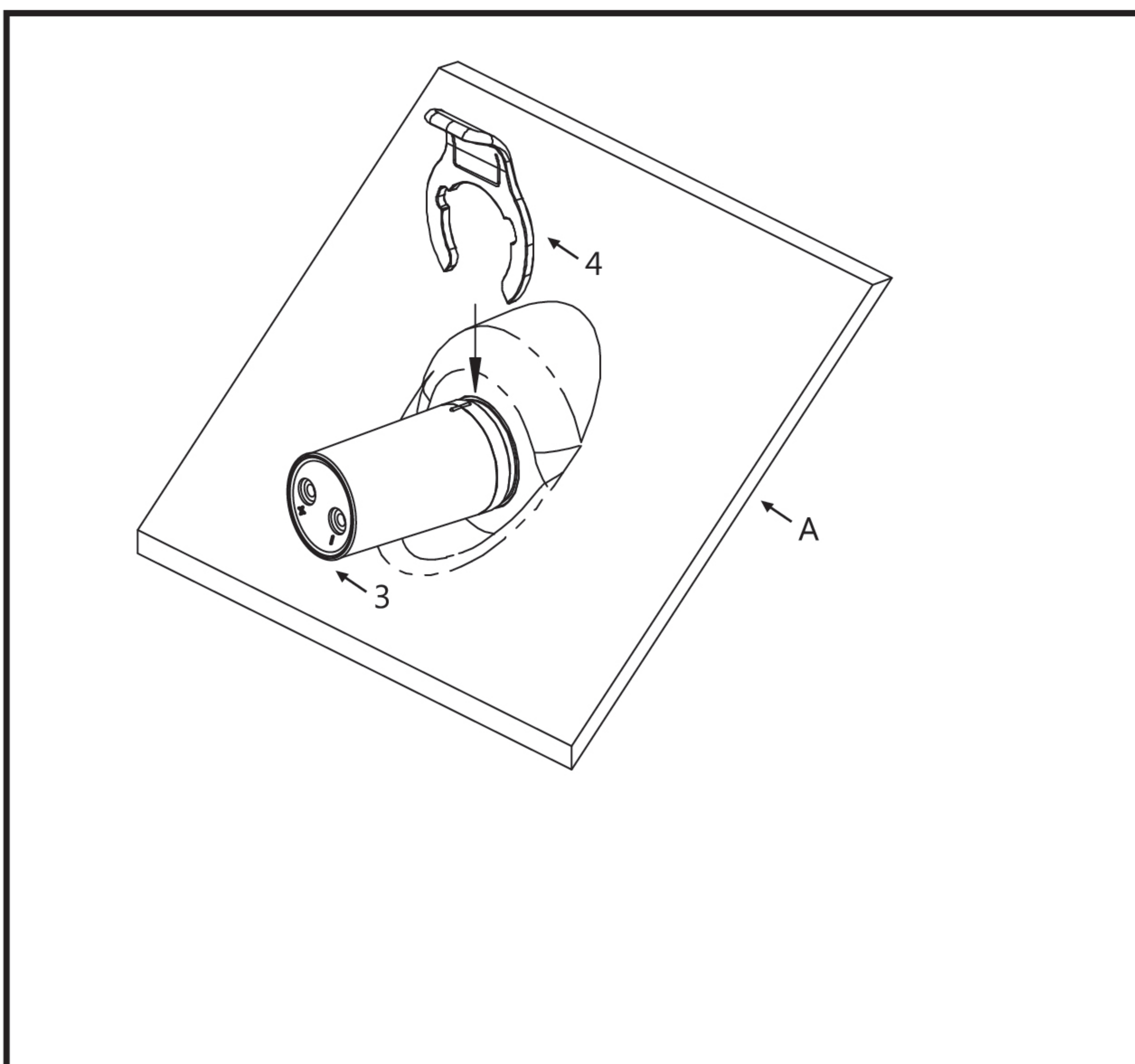
1. Please assemble the decorative ring (Accessory 3) on the waterproof cover (Accessory 3).

**NOTE** Holes should be correspondence to their exact location, as in Figure 1.

2. Please assemble the USB charger (Accessory 1) on the waterproof cover (Accessory 3).

**NOTE** The bump on the USB charger should be correspondence to the small hole on waterproof cover, as in Figure 2.

## 4-2 Installation instruction



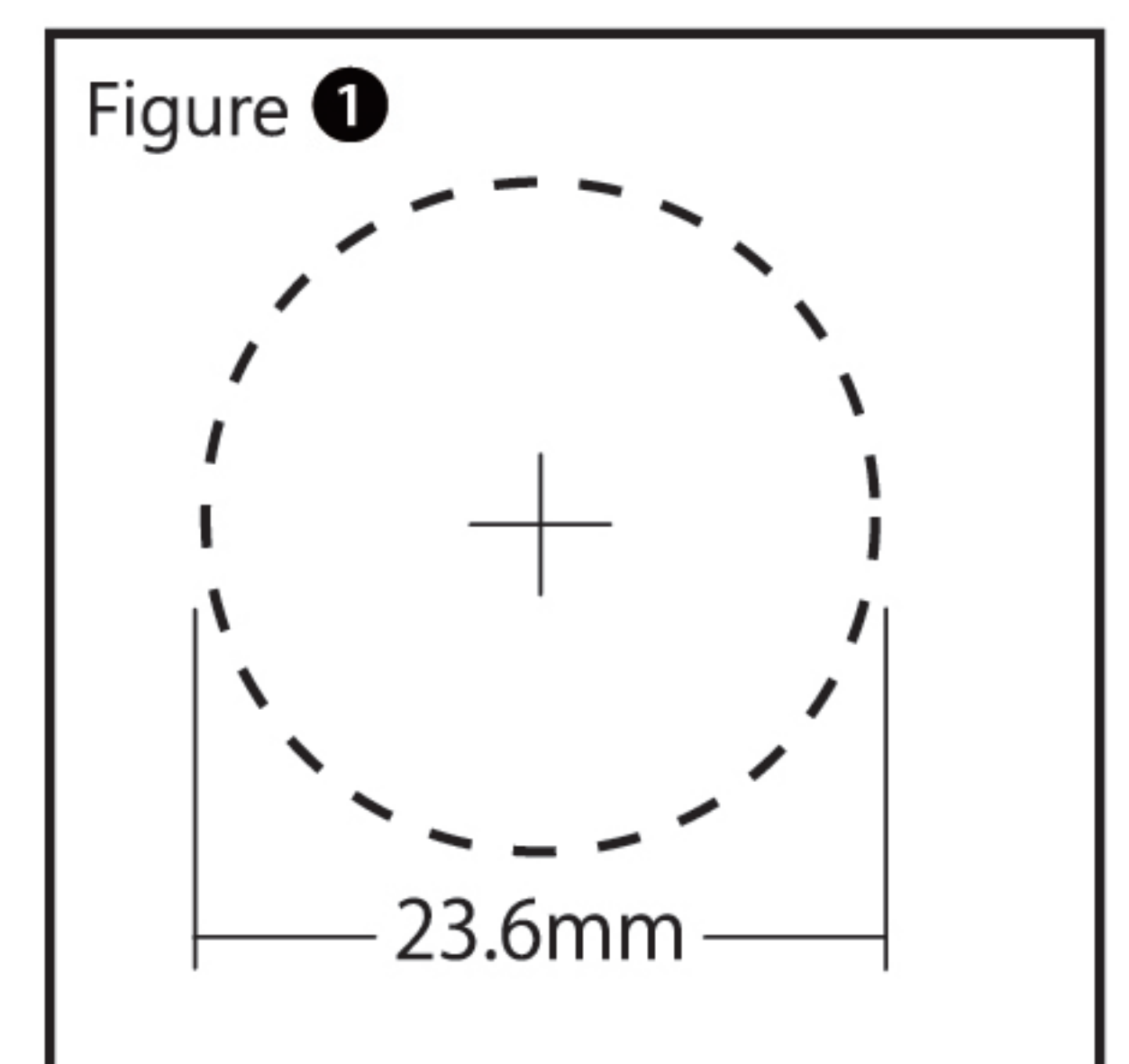
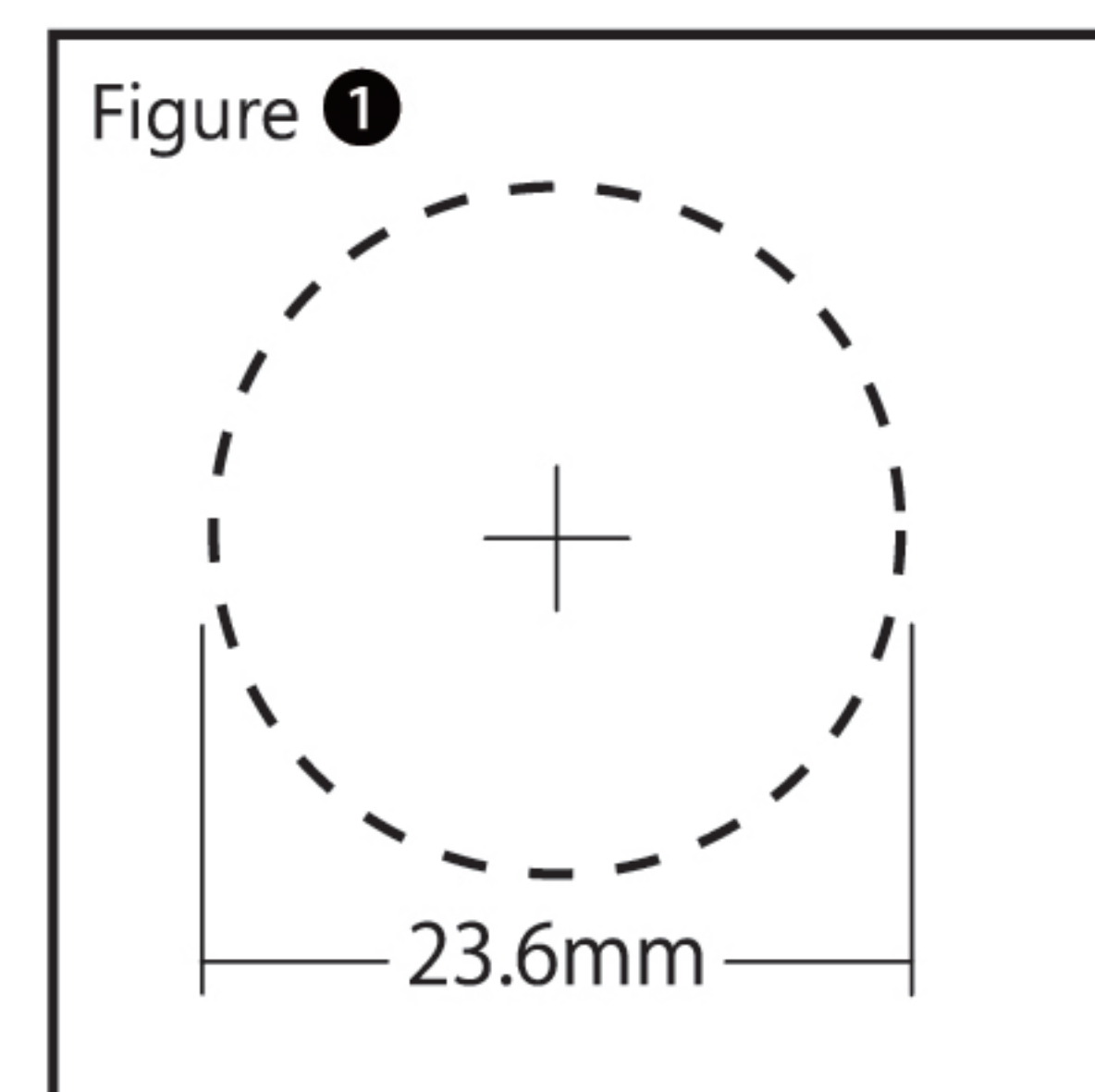
When installing, please follow the process.

1. Before drilling, please cut off figure 1 and paste it on where you want to install the charger.
2. Calibrate base on the center point of figure 1, then drill it with suitable tools.

**NOTE** The recommend dimension of the hole is between 22.6 ~ 23.6mm.

3. USB Charger (Accessory 1)
4. C-shape buckle (Accessory 2)

**NOTE** When installing the C-shape buckle, please insert it from top to bottom at the rear side of the vehicle baffle.



## 5 Trouble shooting

The following situation do not indicate malfunction of the meter. Please check the following before taking it in for repair.

Trouble	Check item
Not charging	<ul style="list-style-type: none"> <li>● There might be no power supply                             <ul style="list-style-type: none"> <li>→ Please make sure the wires are connected.</li> <li>→ Please make sure the positive/negative poles are properly connected.</li> <li>→ Battery malfunction or battery voltage lower than 12.5V.</li> <li>→ Check the wires of product and device.</li> </ul> </li> </ul>

※ If still can't solve the problems according to the step above, please contact with distributors or us.