



● Thank you for purchasing the our product. Before installing, please read the instruction carefully and keep it for future reference.

⚠ Attention!

- For installation, please follow the steps described in manual. Any damage caused by wrong installation shall be imputed to the users.
- Don't break or modify the wire. To avoid the short circuit, please don't pull the wire when installing.
- The interior examination or maintenance should be executed by our professionals.

⊙ MARK MEANING:

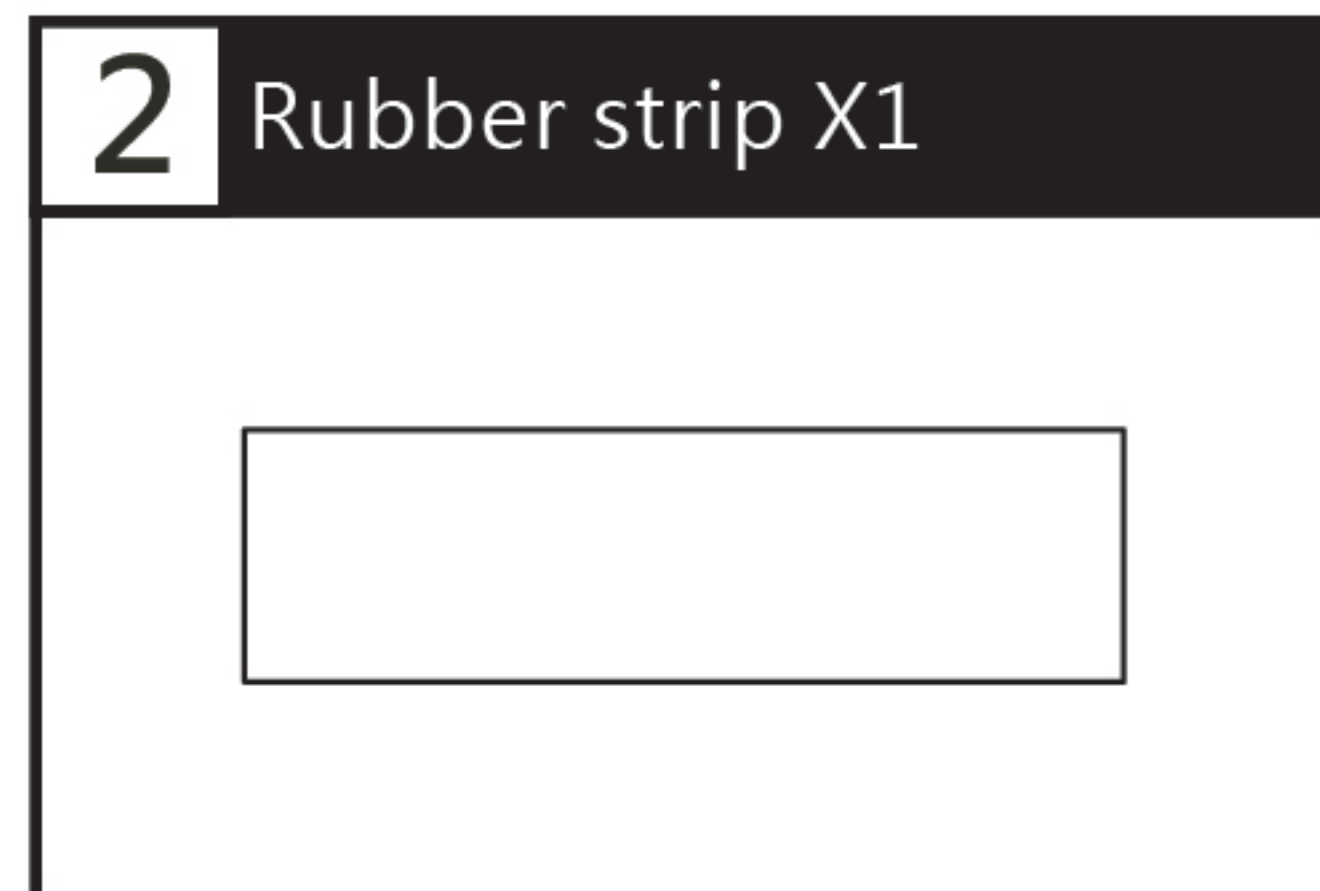
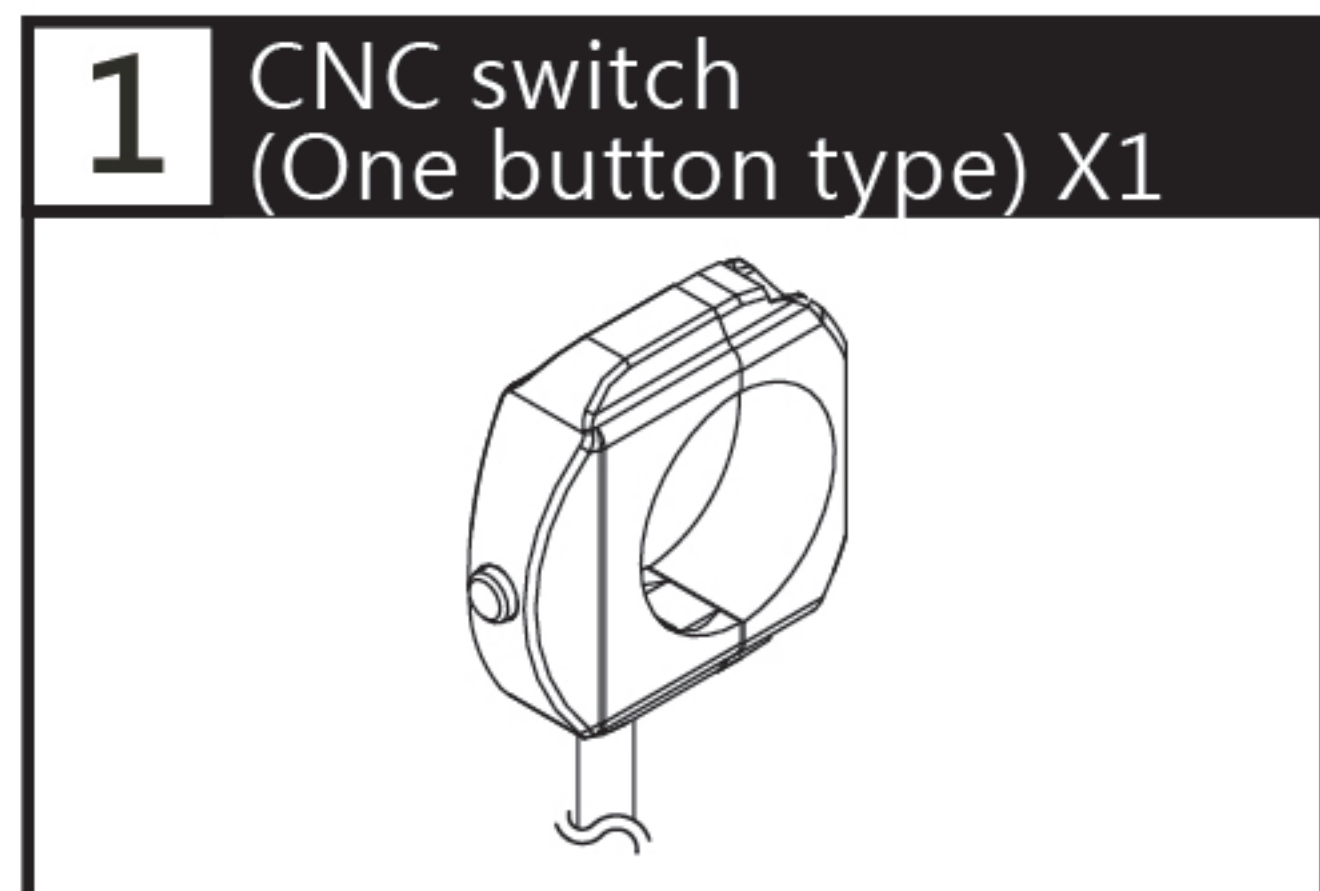
NOTE You could get the installation details from the information behind the mark.

⚠ Some processes must be followed to avoid the affection caused by wrong installation.

⚠ **WARNING!** Some processes must be followed to avoid damages to yourself or the public.

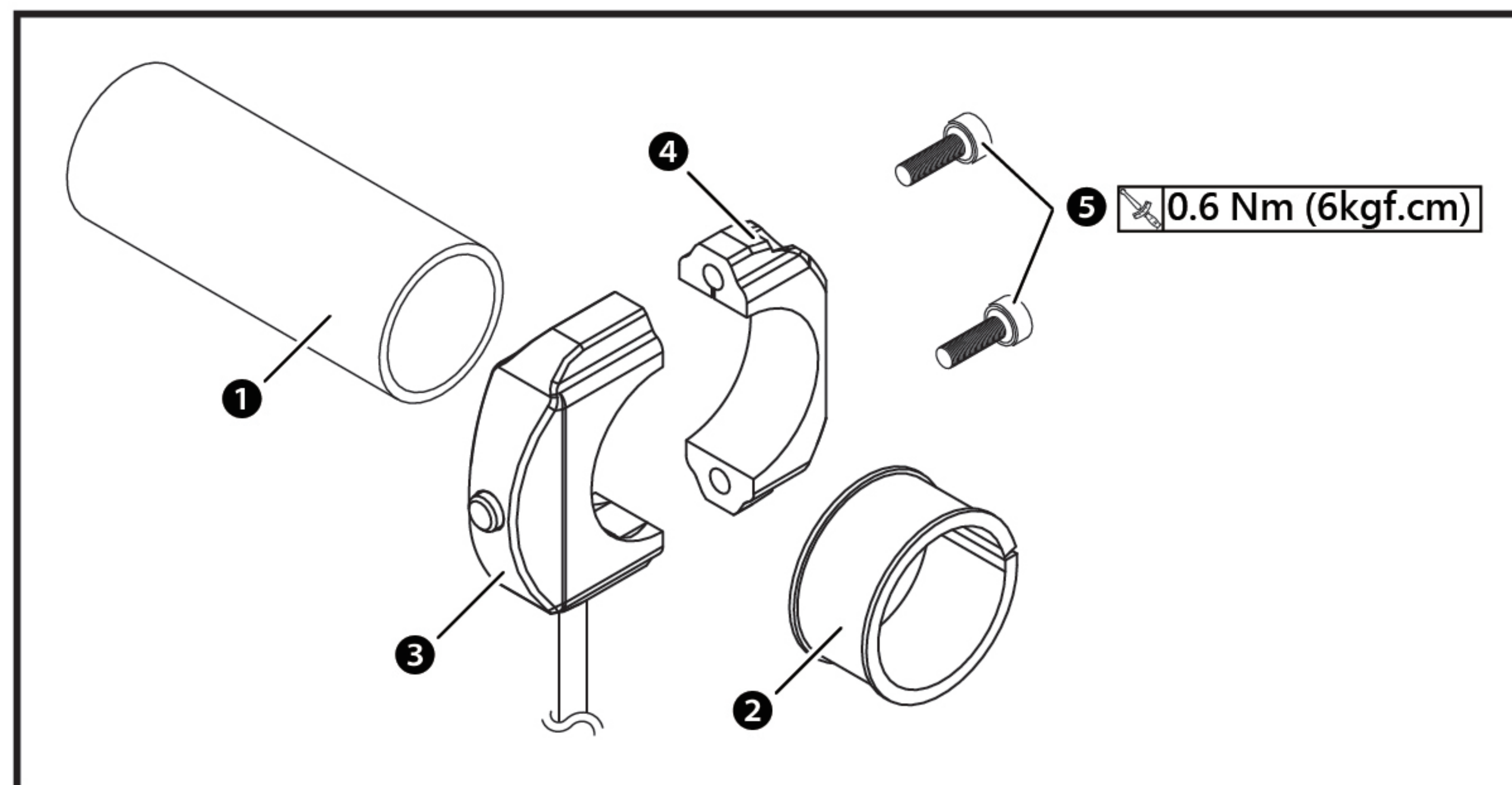
⚠ **CAUTION!** Some processes must be followed to avoid the damage to the vehicle.

1 Accessories



NOTE Contact your local distributor, if the items received in the box are not the same as the items listed above.

2-1 Installation description

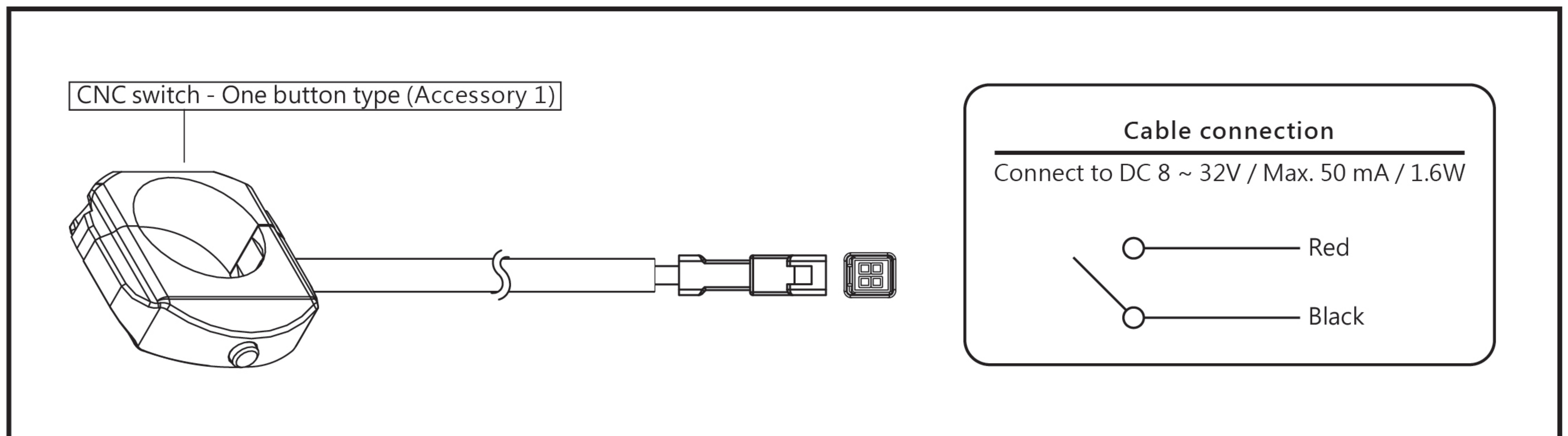


Installation steps

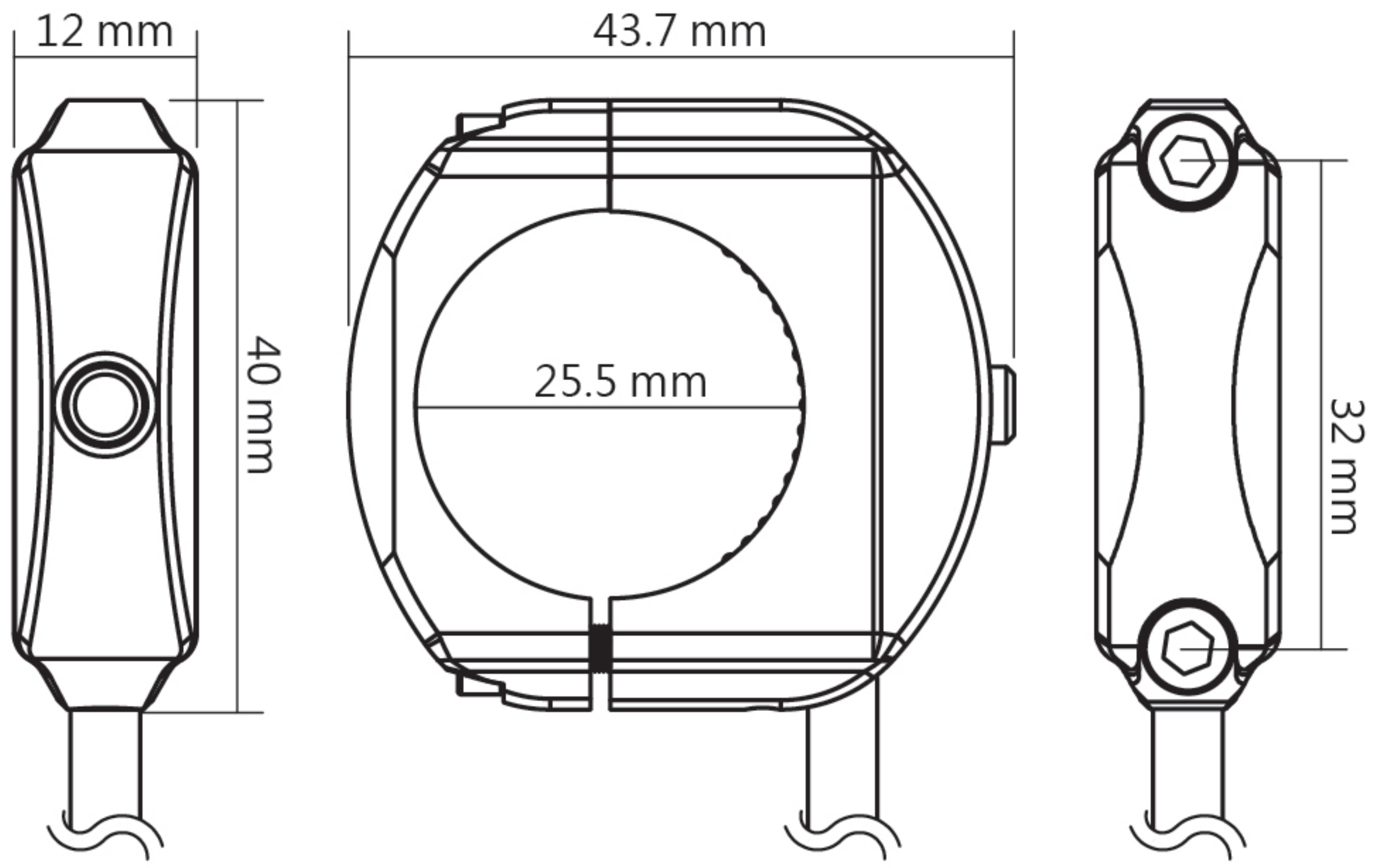
- 1 Handle bar
- 2 Rubber strip (Accessory 2)
- 3 CNC switch (One button type)-Upper Case (Accessory 1)
- 4 CNC switch (One button type)-Bottom Case (Accessory 1)
- 5 M3x12xP0.5 mm screw

⚠ **CAUTION!** Total length of wiring is 600 mm. Please pay attention to the distance between the wire exit hole and the end of handlebar to avoid the occurrence of insufficient wire length.

2-2 Wiring installation instructions



3 Specifications



● Effective temperature range	-10 + 60 °C
● Standard	JIS D 0203
● Effective voltage	DC 8 ~ 32V / Max. 50 mA / 1.6W
● Size	43.7 x 40 x 12 mm
● Weight	About 29 g

NOTE Design and specifications are subject to change without notice!

4 Trouble shooting

The following situation do not indicate malfunction of the meter. Please check the following before taking it in for repair.

Trouble	Check item
Switch does not work when activate.	→Please check if power supply cable is broken or disconnected. →Please check switch and power supply wires.

※ If still can't solve the problems according to the step above, please contact with distributors or us.



● Thank you for purchasing the our product. Before installing, please read the instruction carefully and keep it for future reference.

⚠ Attention!

- For installation, please follow the steps described in manual. Any damage caused by wrong installation shall be imputed to the users.
- Don't break or modify the wire. To avoid the short circuit, please don't pull the wire when installing.
- The interior examination or maintenance should be executed by our professionals.

⊙ MARK MEANING:

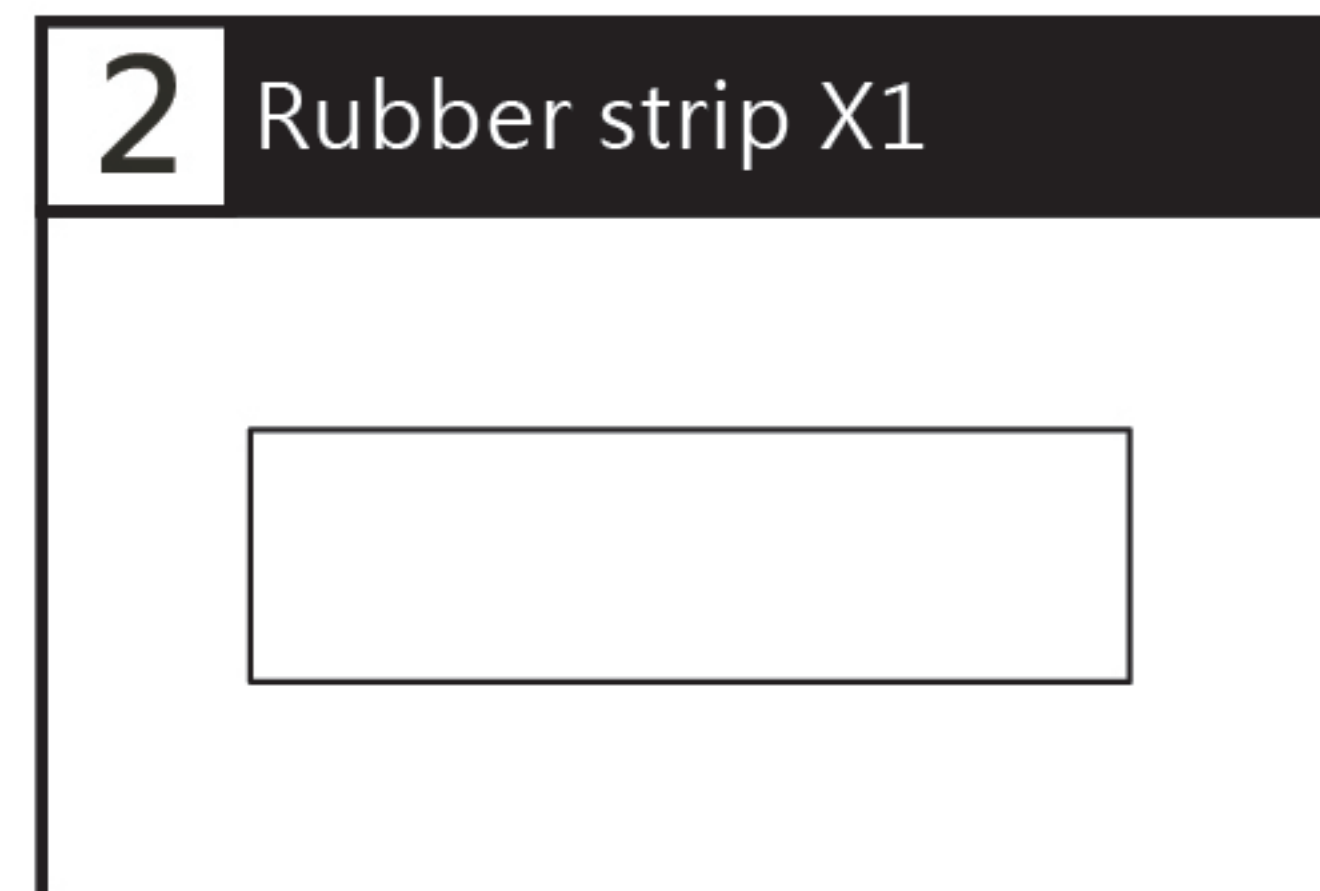
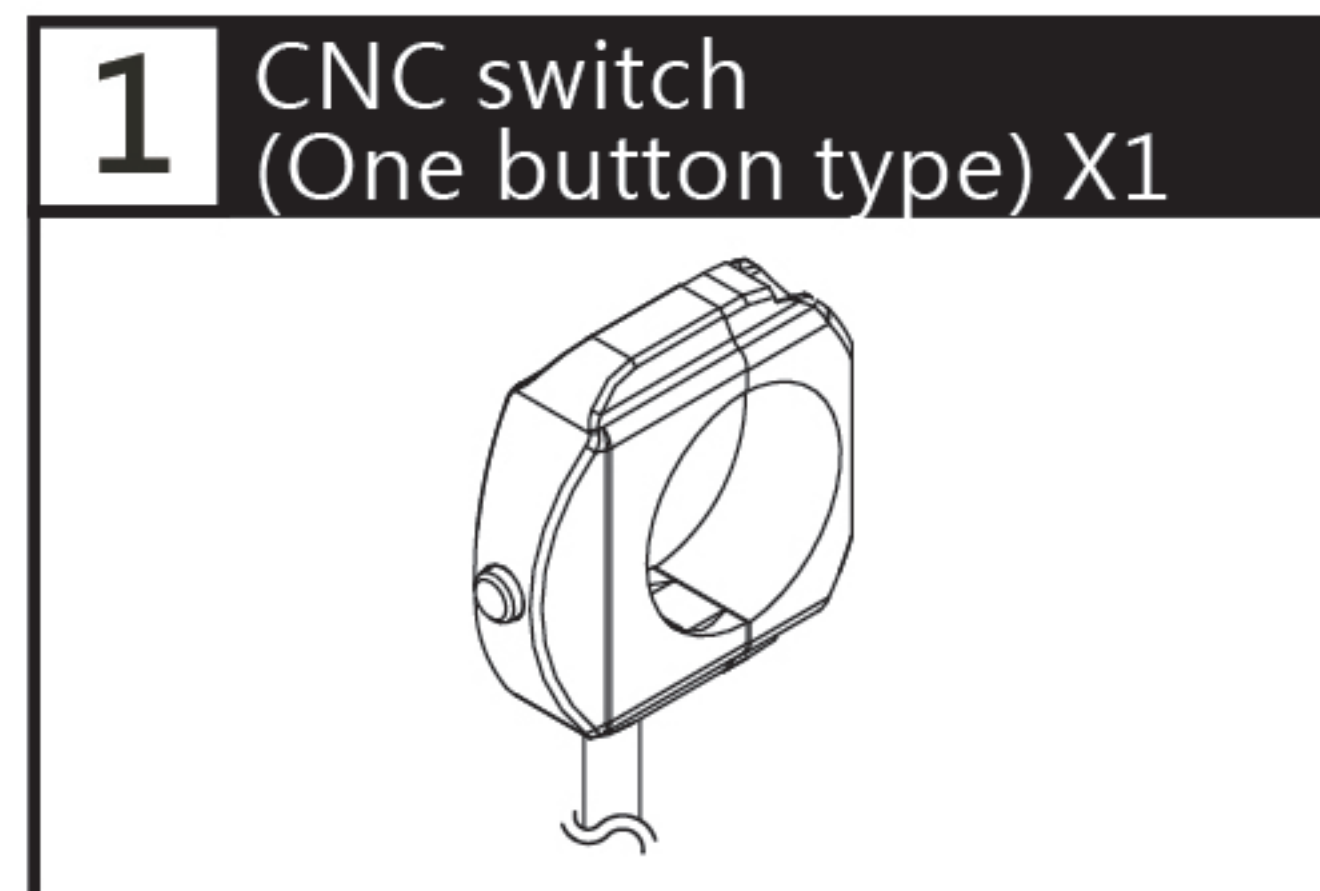
NOTE You could get the installation details from the information behind the mark.

⚠ Some processes must be followed to avoid the affection caused by wrong installation.

⚠ **WARNING!** Some processes must be followed to avoid damages to yourself or the public.

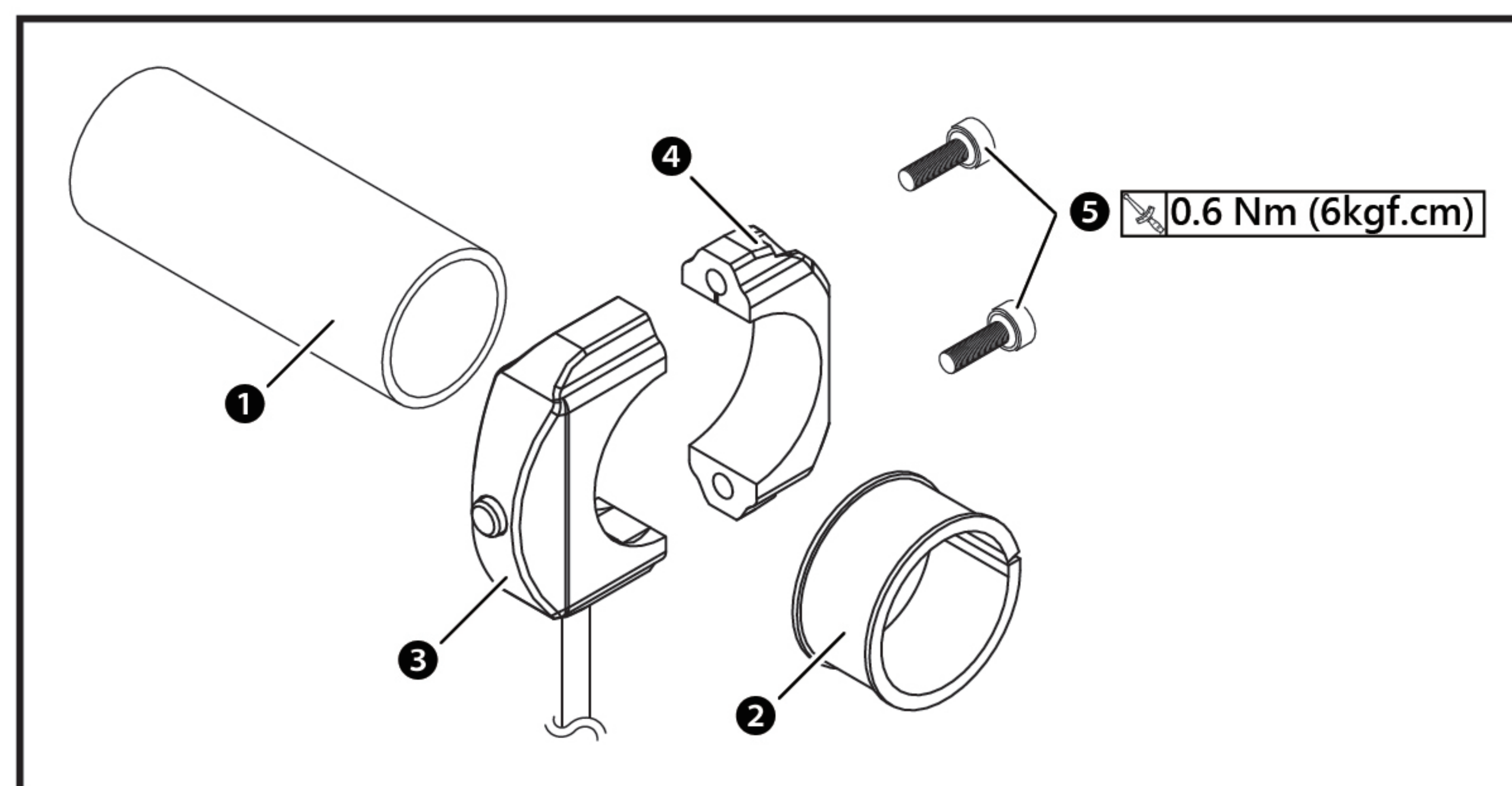
⚠ **CAUTION!** Some processes must be followed to avoid the damage to the vehicle.

1 Accessories



NOTE Contact your local distributor, if the items received in the box are not the same as the items listed above.

2-1 Installation description

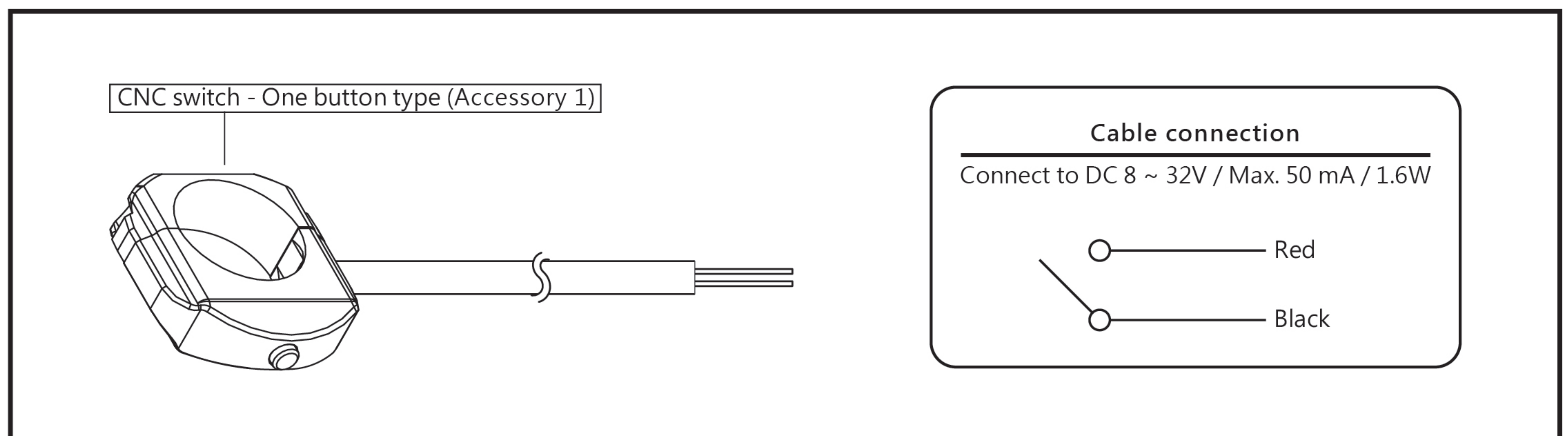


Installation steps

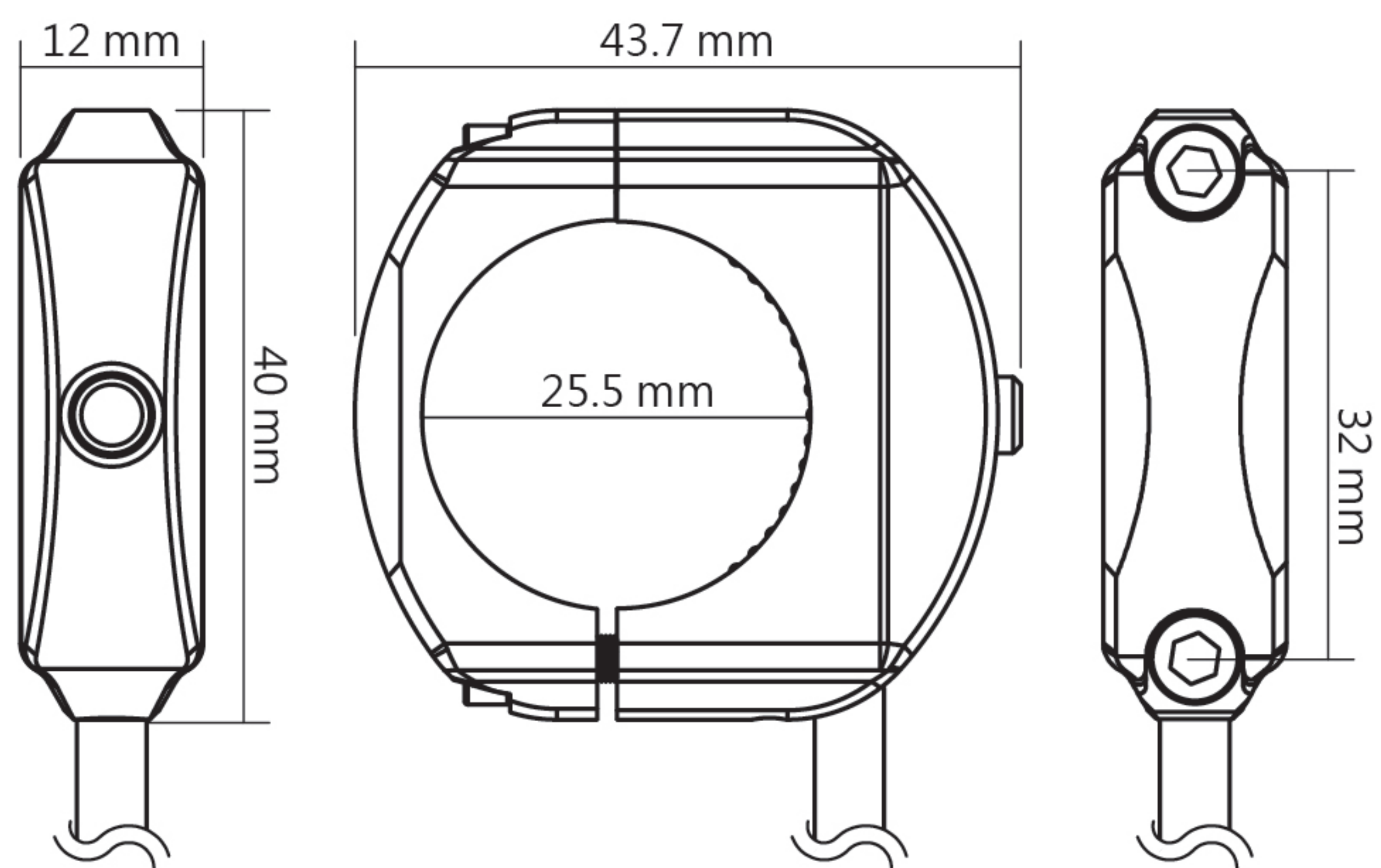
- 1 Handle bar
- 2 Rubber strip (Accessory 2)
- 3 CNC switch (One button type)-Upper Case (Accessory 1)
- 4 CNC switch (One button type)-Bottom Case (Accessory 1)
- 5 M3x12xP0.5 mm screw

⚠ **CAUTION!** Total length of wiring is 600 mm. Please pay attention to the distance between the wire exit hole and the end of handlebar to avoid the occurrence of insufficient wire length.

2-2 Wiring installation instructions



3 Specifications



● Effective temperature range	-10 + 60 °C
● Standard	JIS D 0203
● Effective voltage	DC 8 ~ 32V / Max. 50 mA / 1.6W
● Size	43.7 x 40 x 12 mm
● Weight	About 29 g

NOTE Design and specifications are subject to change without notice!

4 Trouble shooting

The following situation do not indicate malfunction of the meter. Please check the following before taking it in for repair.

Trouble	Check item
Switch does not work when activate.	→Please check if power supply cable is broken or disconnected. →Please check switch and power supply wires.

※ If still can't solve the problems according to the step above, please contact with distributors or us.