



● Thank you for purchasing our product. Before installing, please read the instruction carefully and keep it for future reference.

**Attention!**

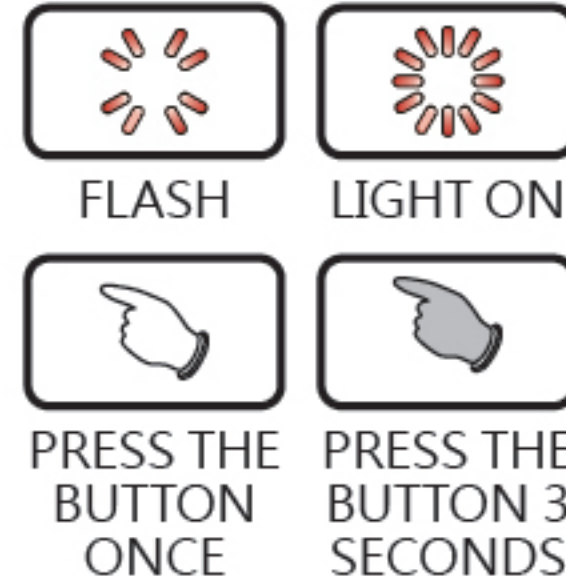
- For installation, follow the steps on the instruction sheet. Any damage caused by faulty installation shall be imputed to the users.
- Do not break or modify the wires. To avoid a short circuit, do not pull the wires out of the terminals during installation.
- Do not disassemble, alter or change any parts.
- Maintenance or repairs should be executed by a certified Koso technician.

⚠ Some procedures must be followed to avoid damages caused by wrong installation.

⚠ **WARNING!** Some procedures must be followed to avoid damages to yourself or the public.

⚠ **CAUTION!** Some procedures must be followed to avoid damages to the vehicle.

📖 **READ CAREFULLY!** If any information dealt with in the instructions remains unclear, seek professional assistance.



**1 Accessories**

<b>1</b> Heated grip X2 	<b>2</b> Harness Kit X1 	<b>3</b> Bar-end Cap X2 	<b>4</b> Throttle Adaptor Spacer X1 
<b>5</b> Throttle Adaptor-A X1 	<b>6</b> Throttle Adaptor-B X1 	<b>7</b> Throttle Adaptor-C X1 	<b>8</b> Glue X1 
<b>9</b> CNC 5 Level Switch X1 	<b>10</b> CNC 5 Level Switch-Front Connecting Adaptor X1 	<b>11</b> CNC 5 Level Switch-End Connecting Adaptor X1 	

**NOTE** Contact your local distributor, if the items received in the box are not the same as the items listed above.

**2 Specifications**

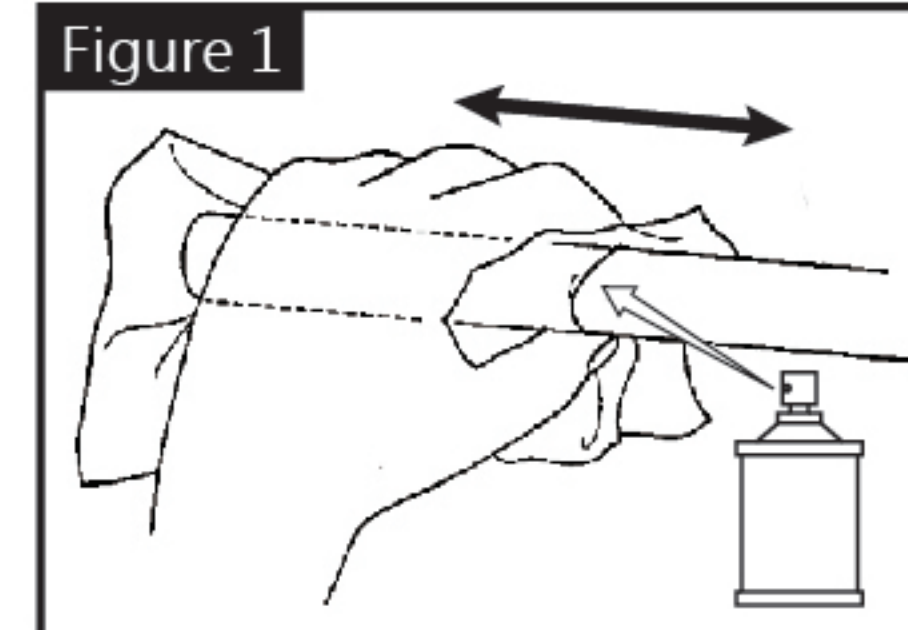
CNC 5 Level Switch	CNC 5 Level Switch-Front Connecting Adaptor	CNC 5 Level Switch-End Connecting Adaptor

- |                        |                                |                                    |  |                  |                    |                   |                 |                    |  |
|------------------------|--------------------------------|------------------------------------|--|------------------|--------------------|-------------------|-----------------|--------------------|--|
| ● Heating stage        | Stage 1 (low) ~ Stage 5 (high) | ● Switch weight (harness excluded) | About 17 g   |                  |                    |                   |                 |                    |  |
| ● Fuse type            | 4A (ASP)                       | ● Light Signal                     | <table border="0"> <tr> <td>■ Stage 1 [Blue]</td> <td>■ Stage 4 [Orange]</td> </tr> <tr> <td>■ Stage 2 [Green]</td> <td>■ Stage 5 [Red]</td> </tr> <tr> <td>■ Stage 3 [Yellow]</td> <td></td> </tr> </table> | ■ Stage 1 [Blue] | ■ Stage 4 [Orange] | ■ Stage 2 [Green] | ■ Stage 5 [Red] | ■ Stage 3 [Yellow] |  |
| ■ Stage 1 [Blue]       | ■ Stage 4 [Orange]             |                                    |  |                  |                    |                   |                 |                    |  |
| ■ Stage 2 [Green]      | ■ Stage 5 [Red]                |                                    |  |                  |                    |                   |                 |                    |  |
| ■ Stage 3 [Yellow]     |                                |                                    |  |                  |                    |                   |                 |                    |  |
| ● Water-Proof Standard | JIS D 0203                     |                                    |  |                  |                    |                   |                 |                    |  |
| ● Voltage              | DC 12 V                        |                                    |  |                  |                    |                   |                 |                    |  |
| ● Switch size          | W40.7 X L38.5 X H11.5 mm       |                                    |  |                  |                    |                   |                 |                    |  |

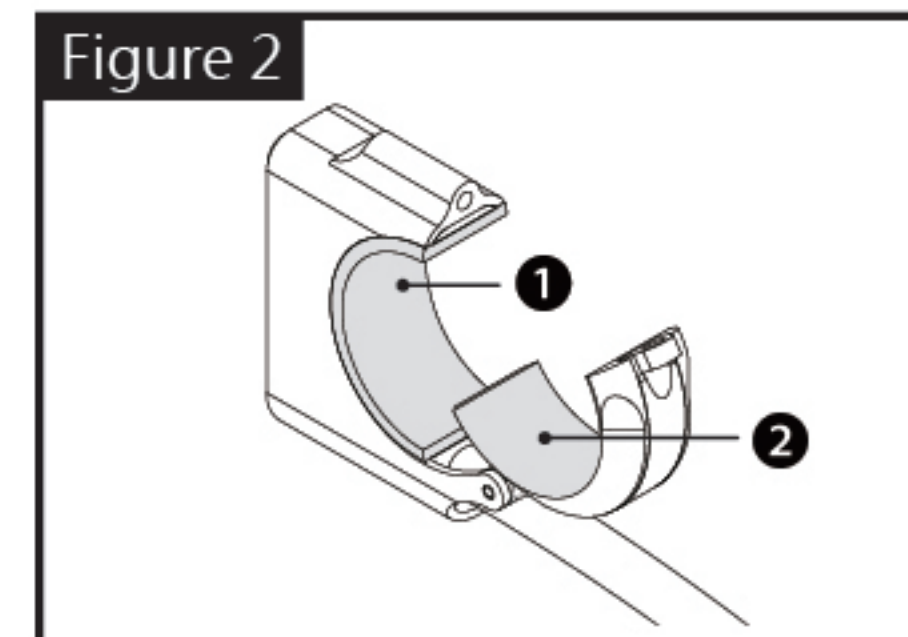
**NOTE** Design and specifications are subject to change without notice!

**3-1 Installation Instructions**

**Heated grips installation procedure**

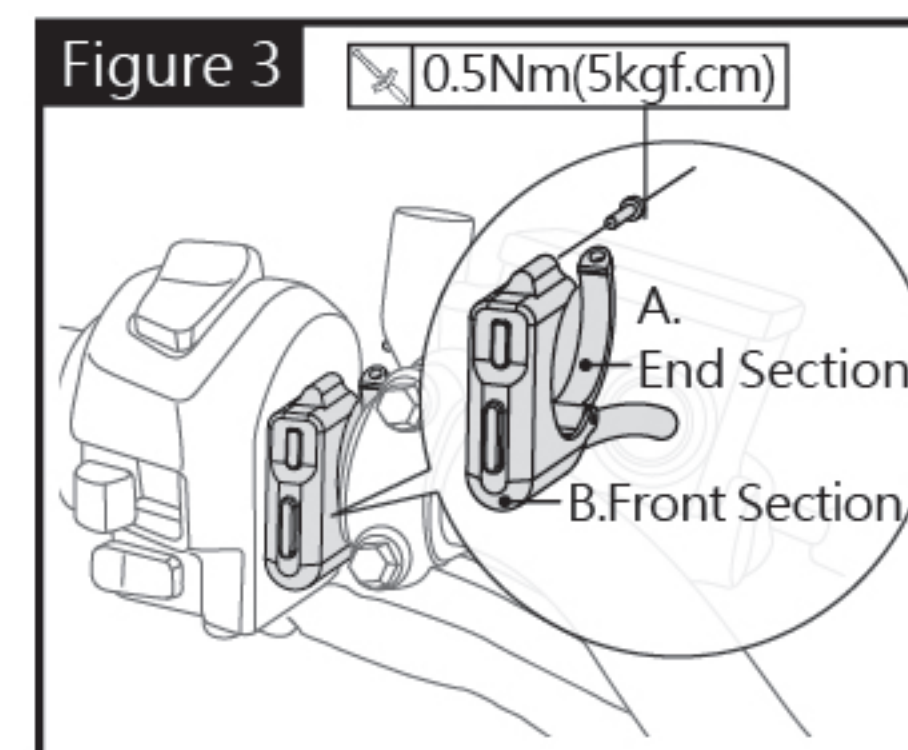


1. Use an appropriate tool to remove the original handlebar grips.
2. Apply a cleaning agent and wipe back and forth to remove the glue residue from the handlebar.

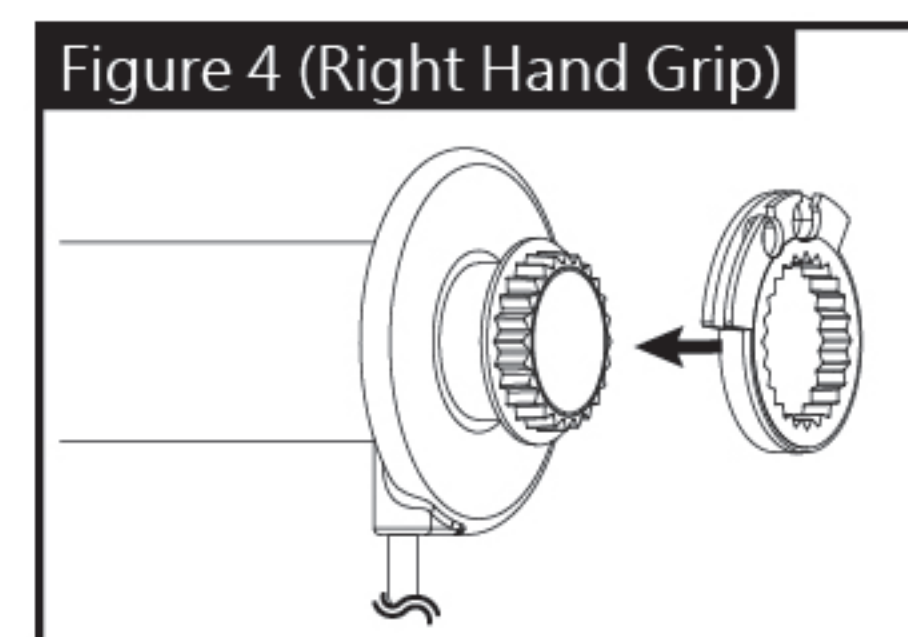


- CAUTION!** Please refer to the list below and decide whether to use additional connecting adaptor according to the grip diameter.
- ① CNC 5 Level Switch-Front Connecting Adaptor (Accessory 10)
  - ② CNC 5 Level Switch-End Connecting Adaptor (Accessory 11)

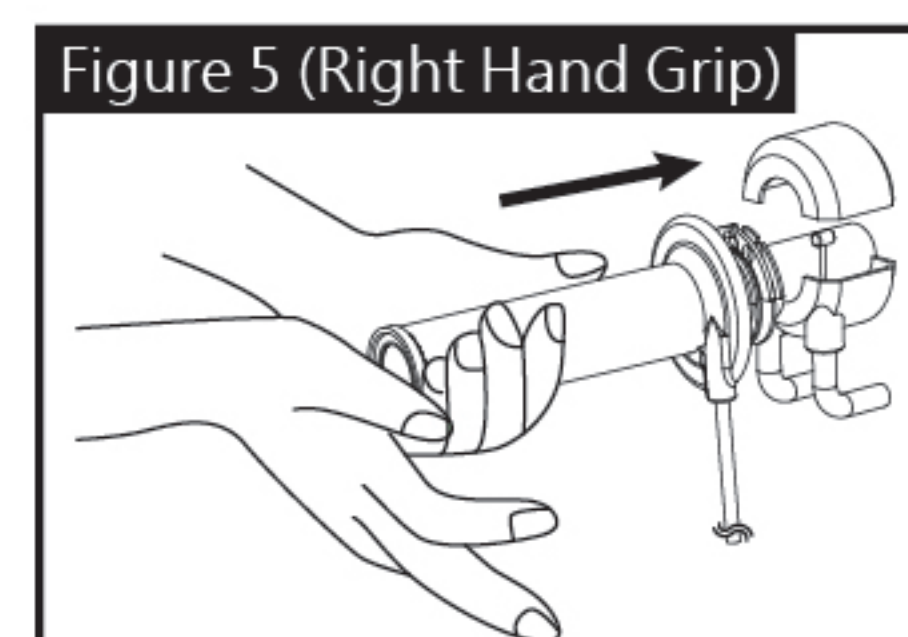
SIZE	Use of Grip
7/8" (22.2mm)	○
1" (25.4mm)	X



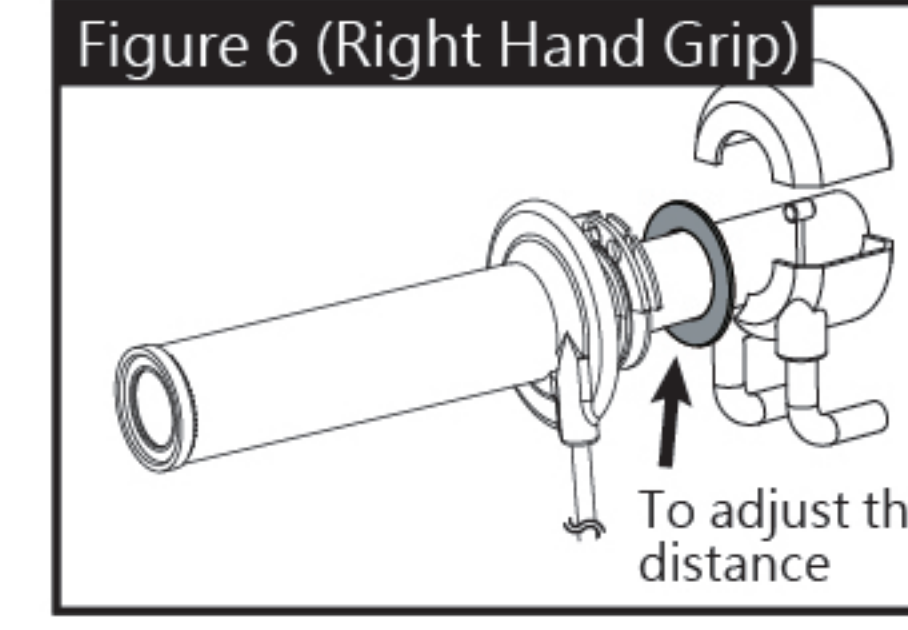
3. Please use proper tools to lock the CNC 5 Level Switch (Accessory 9) onto the handlebar.
- NOTE** During installation, it is recommended to hook the End Section (A) to the handle for positioning and draw close to (B). Front Section, and use the screws for fixation. Such sequence is easier for installation and can prevent scratching the items.



4. Use appropriate throttle adaptor (Accessory 5~7), and install the throttle adaptor according to the correct angle of the bike.



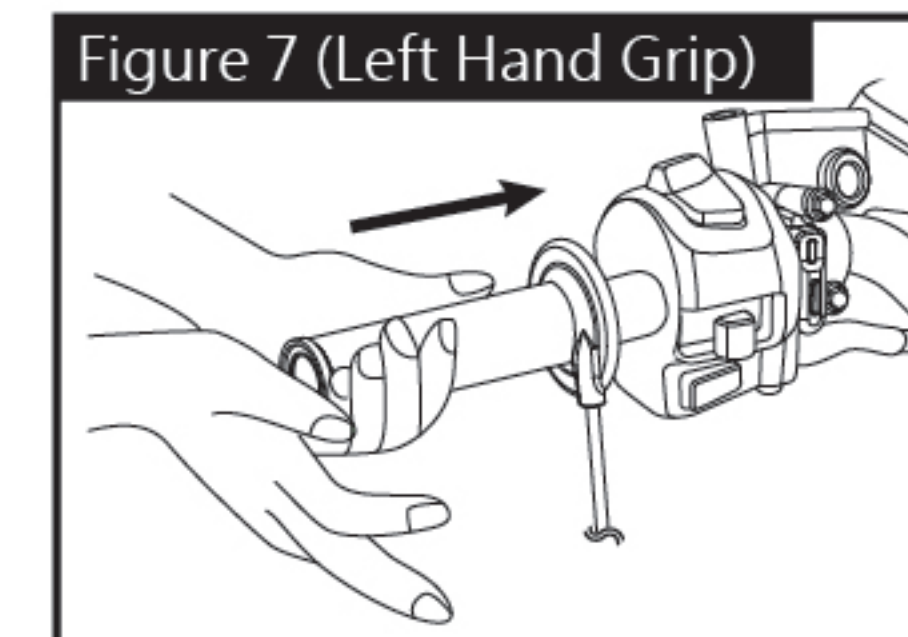
5. Insert throttle adaptor as well as grip to right hand handlebar.



**CAUTION!** When throttle has too much space, please use the spacer (Accessory 4) to adjust the space.

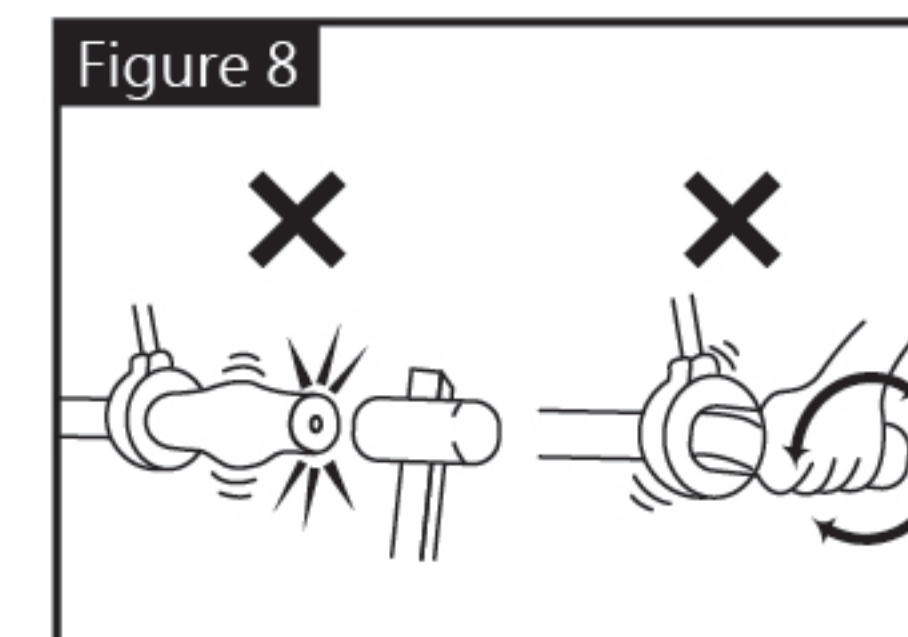
Use Allen key to tight the grips to handlebars.

**WARNING!** There may be concerns regarding personal safety when the accelerator is stuck.

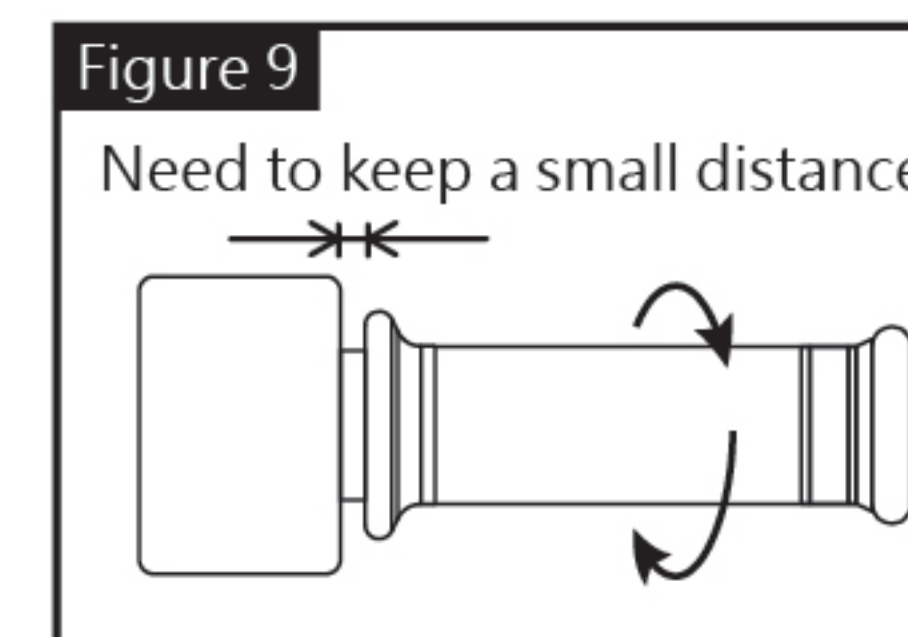


6. Please reverse the disassemble order to install the grip back on. Insert left hand grip onto left handlebar.

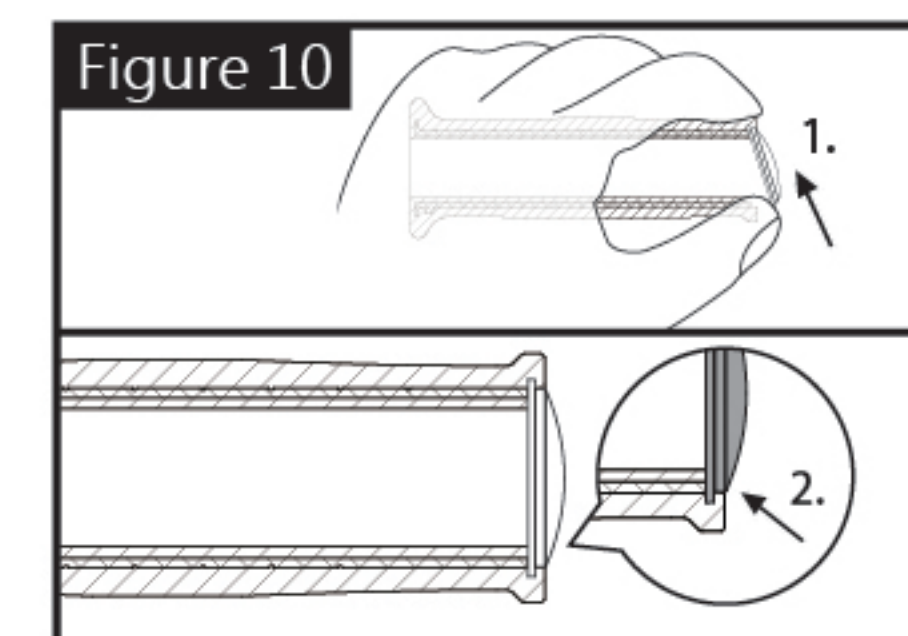
**NOTE** If the heating grip and the handlebar are loose; then apply glue (Accessory 8) to strengthen the hold to ensure that the grip will not loosen during riding.



**CAUTION!** To install, do not use a tool to knock the grip on. Do not twist the grip by hand or with a tool. By doing so, this will break or damage the wires inside the handlebar.

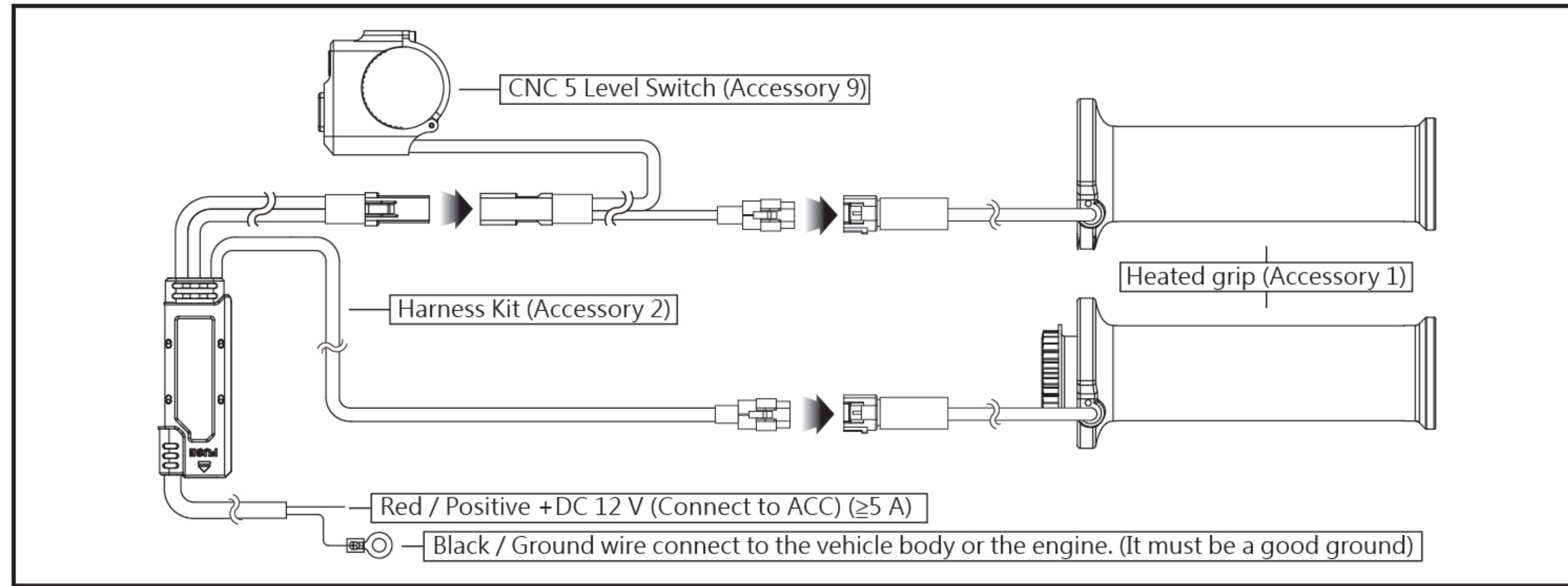


**CAUTION!** To install the heated grip onto the throttle sleeve, the throttle must maintain a small distance for wiring; You must test them by rotating back and forth to make sure it can be twisted.



7. Install the end cap on the heated grips.

### 3-2 Practical Installation Instructions



### 4 Heating Function Instruction

● Key-On: White Color Light Up Once  
● Short Press: Enter Level 1

**NOTE** When no button pressed then it's in the turn-off mode which means no heating and no light up.

● Level 1:  
Heating Output - 20%  
Color of Light - Blue  
● Short Press: Enter Level 2

● Level 2:  
Heating Output - 40%  
Color of Light - Green  
● Short Press: Enter Level 3

● Level 3:  
Heating Output - 60%  
Color of Light - Yellow  
● Short Press: Enter Level 4

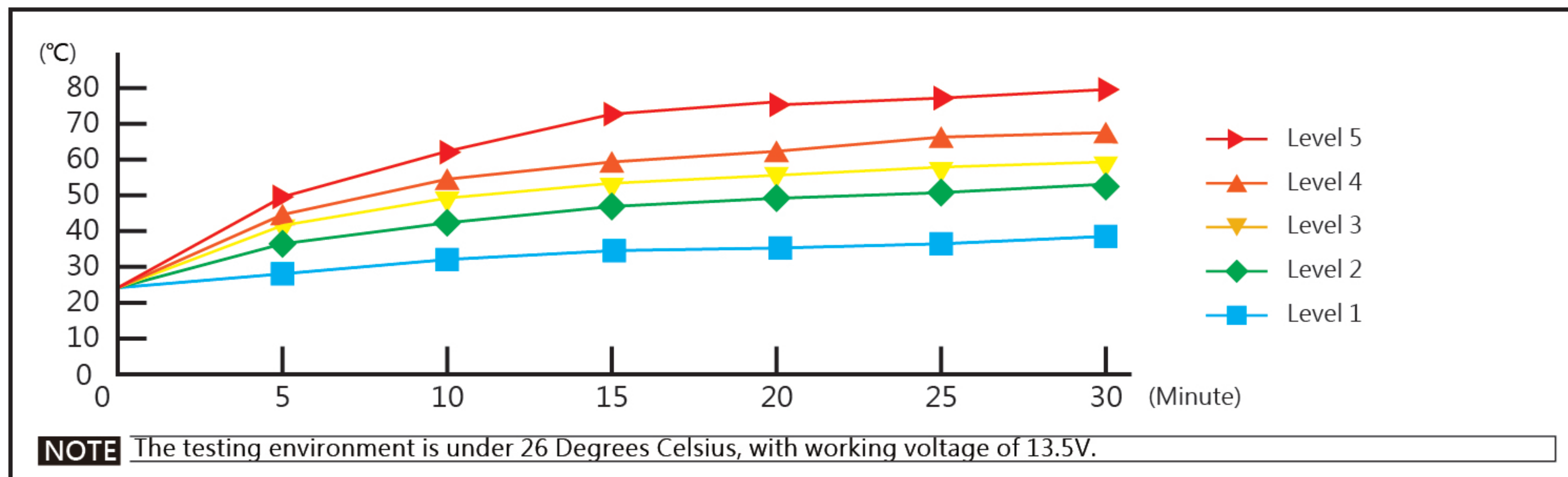
● Level 4:  
Heating Output - 80%  
Color of Light - Orange  
● Short Press: Enter Level 5

● Level 5:  
Heating Output - 100%  
Color of Light - Red  
● Short Press: Turn-Off

**NOTE** Press and hold the button for 3 seconds could turn-off the heated grips in any level.

**NOTE** This Heated Grip combine the memorizing function which means no matter the grip was shut down in any level more than 3 seconds and restart, it will restore to the previous level.

### 5 Heated Grip Testing Data



### 6 Low Battery Warning Instruction

- Low Battery Warning Activate Condition : When voltage lower than 11.5 V and more than 5 seconds.
- Heating Output : Turn-Off
- Indicator : Purple Light Flashing
- Short Press During Warning : Temporary deactivate the warning.
- Short Press During Turn-Off : Purple light flashing 3 times and turn-off.

**NOTE** Condition to Restore Normal Status : Detected voltage higher than 13 V and more than 5 seconds.

### 7 Caution

- Please do not bend the in-line control unit on the harness kit, it might cause the unit broken.

### 8 Trouble Shooting

The following situation do not indicate malfunction of the meter. Please check the following before taking it in for repair.

Trouble	Check item	Trouble	Check item
LED indication does not activate.	<ul style="list-style-type: none"> <li>● Power supply cable disconnected. → Please check if power supply cable is broken or disconnected.</li> <li>→ Please check if positive and negative poles are properly connected.</li> <li>● It might be the fuse blown out. → Please check if the fuse is in normal state.</li> </ul>	When turn the key on, the headed grip is not heating up.	<ul style="list-style-type: none"> <li>● It might be the battery is running out. → Please check your battery voltage as soon as possible.</li> <li>● It might be causing by no power supply. → Please check if power harness and fuse broken or disconnected.</li> <li>→ Please check if positive pole and negative pole is well connected.</li> </ul>
Switch button exceptions.	<ul style="list-style-type: none"> <li>● Poor connection of the harness terminals. → Please check if the harness is disconnected or if it has fell off.</li> <li>● Improper locking. → Please lock the switch again.</li> <li>→ Please make sure the adaptors are assembled correctly.</li> </ul>		

※ If the problems still can't be solved, please contact your local distributor to get assistance.